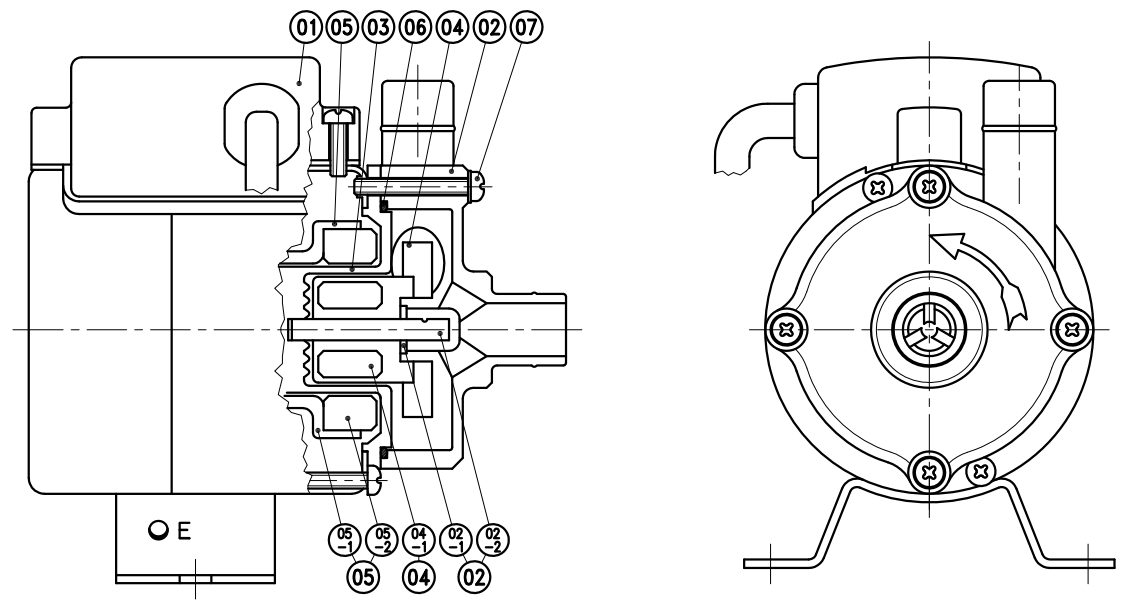



02-1	FRONT THRUST PAD	1	RULON	φ9Xφ4.2X1.2	A2221580	04-1	INNER MAGNET	1	FERRITE	φ18X12	P2441115	07	SCREW,CROSS RECESS HEAD w/t P.W.(φ6Xφ3.2xt0.5)	4	SUS304	M3X22	P9111721
02	FRONT CASING ASS'Y	1	PVDF	φ54X35	P2201370	04	IMPELLER VANE	1	PP	φ33X22.5	F2401154	06	O. RING	1	FKM	φ44.5Xφ2	S45
01	MOTOR			100~120V,200~240V , 2.5W,1φ,2P		03	REAR CASING	1	PVDF	φ54X28.5	P2301369	05-2	OUTER MAGNET	1	FERRITE	φ38Xφ25X10	P2521094
NO	PART NAME	Q'TY	MATERIAL	NOTE	DWG, NO.	02-2	SPINDLE	1	CERAMIC SIC	φ4X29.7	P2331107	05-1	MAGNET HOUSING	1		φ41X59.5	P1201373
						NO	PART NAME	Q'TY	MATERIAL	NOTE	DWG, NO.	05	OUTER DRIVE RING	1		φ41X62.5	P2501413
						NO	PART NAME	Q'TY	MATERIAL	NOTE	DWG, NO.	NO	PART NAME	Q'TY	MATERIAL	NOTE	DWG, NO.



G : 1/2" X 1/2"  
NPT : 1/2" X 1/2"

APPROVED		MDL, NAME	NH-1PX-N	
UNIT	MM	CHECK	02 18 13	
SCALE	1:1	DESIGN	09 01 98	
EDITION	4	DR.BY	02 18 13 FANNY	
TPW HONG YUAN		DWG, NAME	CONSTRUCTION DRAWING	
		DWG, NO.	B2001185	A3
		 <b>PAN WORLD CO.,LTD.</b> パンワールド株式会社		