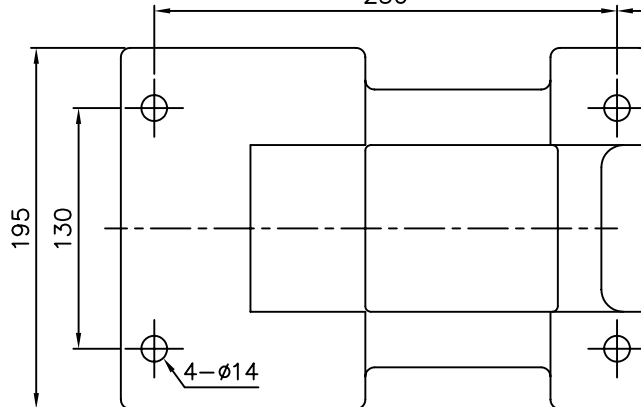


SCALE = 1:2



DIMENSION TOLERANCE : JIS 16 CLASS

APPROVED		MDL, NAME	NH-401PW-C		
UNIT	MM	CHECK	11 12 02	DWG, NAME	INSTALLATION DRAWING
SCALE	7:20	DESIGN	05 02 97	DWG, NO.	B1414843
EDITION	2	DR. BY	11 12 02 BECKY		A3

TPW
HONG YUAN



PAN WORLD CO.,LTD.
パンワールド株式会社