

Reliability is our target

**PAN WORLD
SEALLESS MAGNETIC
DRIVEN PUMP**

PS-K series(Fluorine Resin)



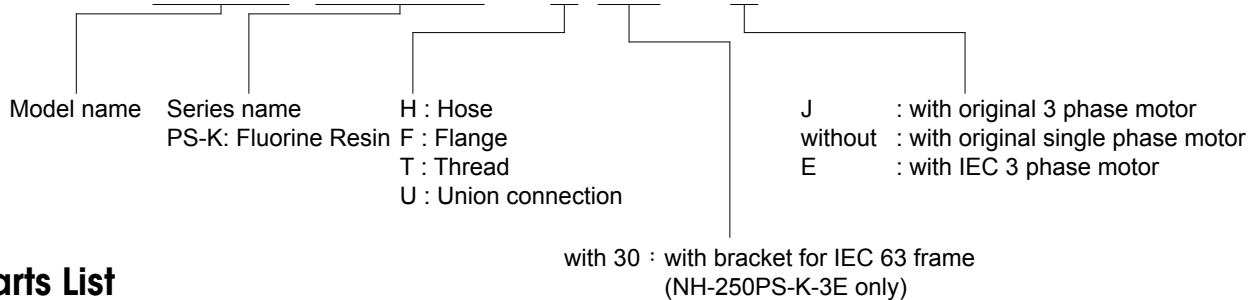
PAN WORLD CO., LTD.

Features

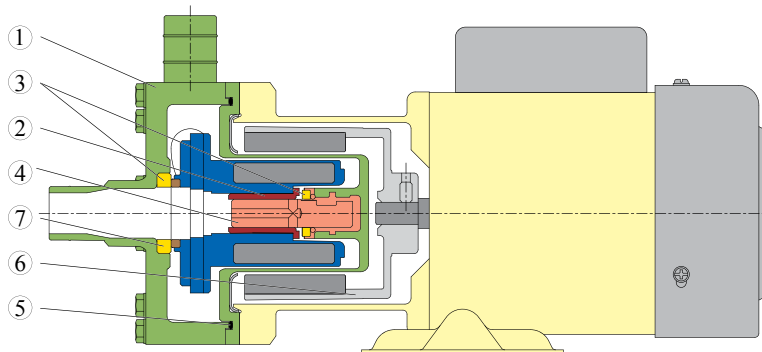
- Precision injection part, Fluorine Resin.
- 9 models with flow rates up to 120 lit/min and discharge head of 25 m.
- Able to handle almost all types of chemical and temperature up to 70° C.
- Available in hose , threaded or flange connections.

Type Indication

N H - 2 5 0 P S - K - H 3 0 - J



Parts List

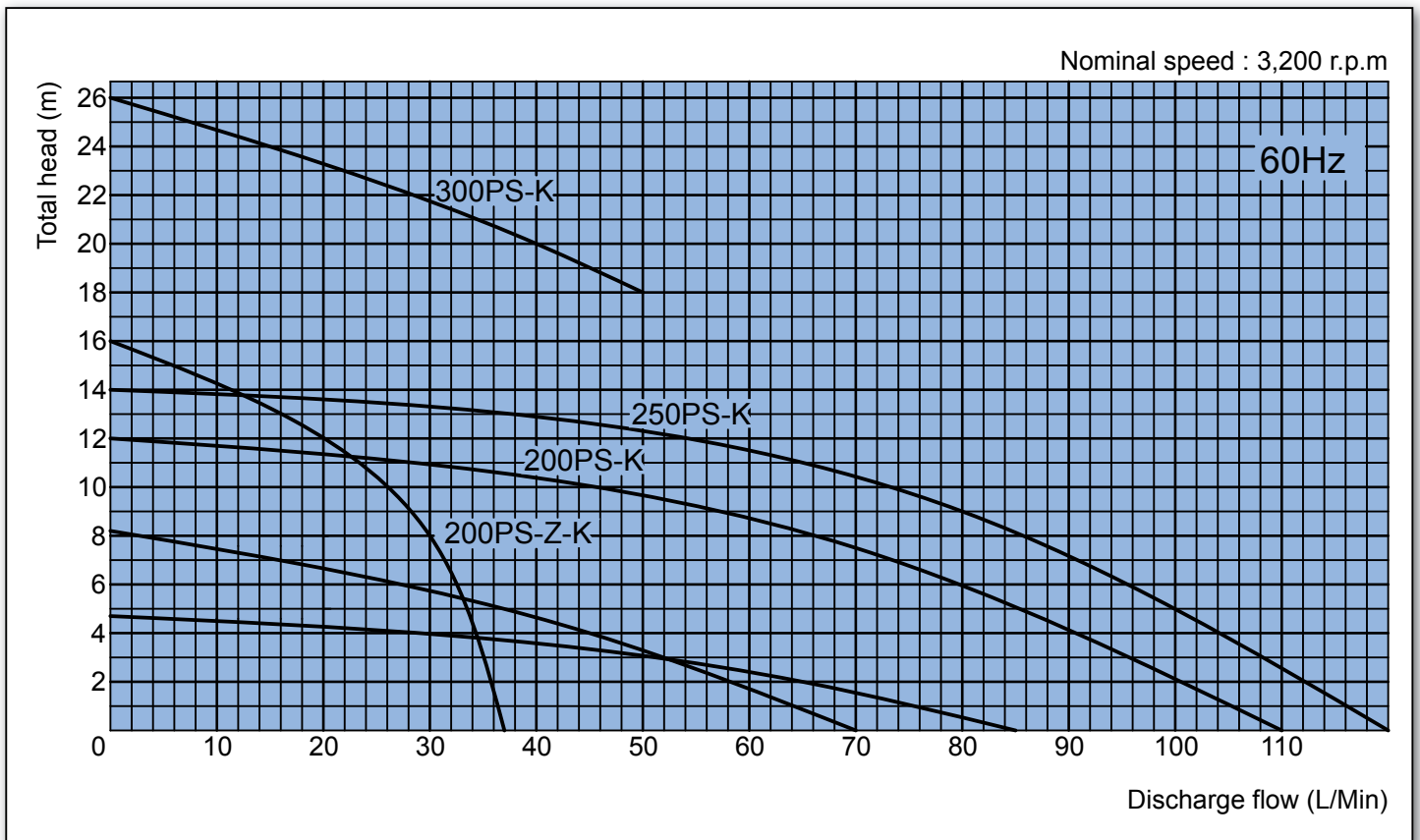
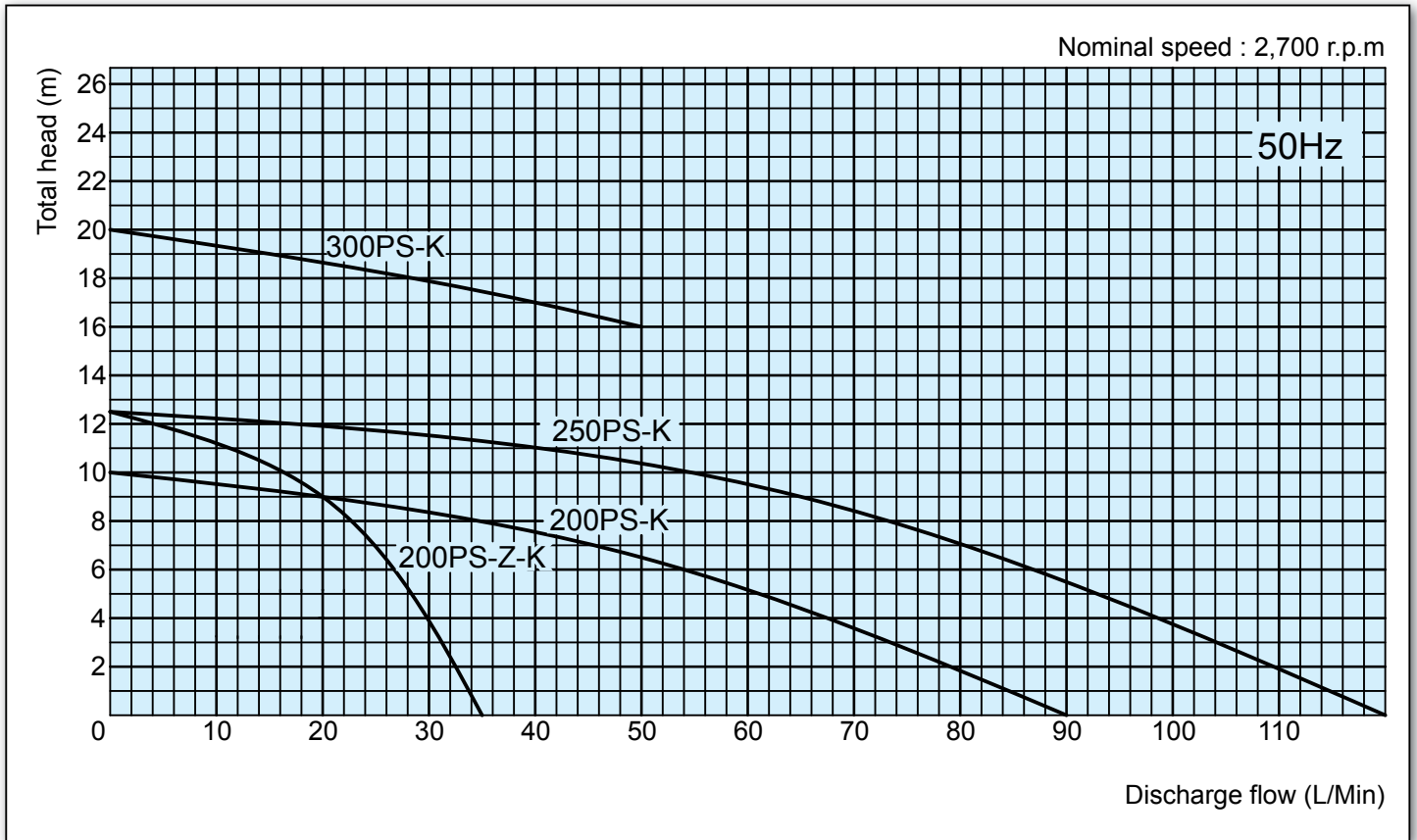


Part name	PS-K Series		
1. Casing	Fluorine Resin		
2. Bearing	Teflon	Ceramic	Sic
3. Thrust pad	Ceramic		Sic
4. Spindle	Ceramic		Sic
5. O ring	FKM	EPDM	NBR
6. Magnet	Isotropic ferrite		
7. Mouth ring	Teflon based		

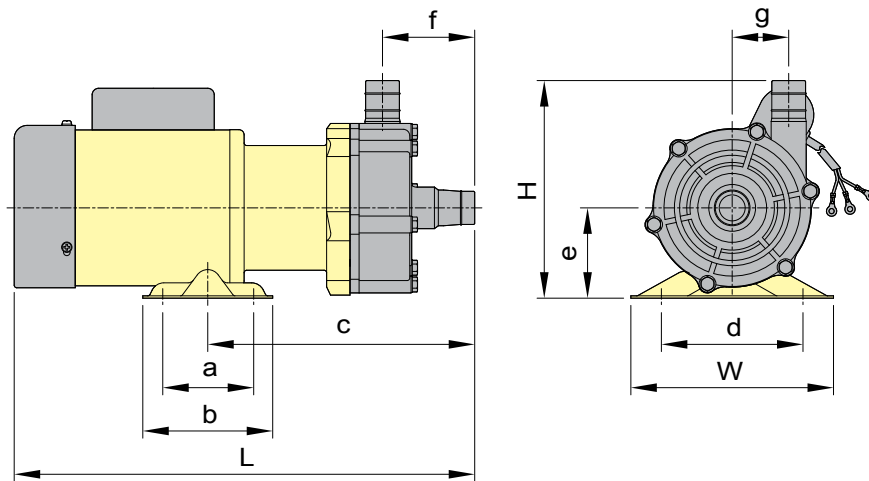
Specification table

Model	Connection Method				Performance M-L/Min , 50~60Hz		Motor
	Hose (mm) In x Outlet	Thread (") In x Outlet	Union (A) In x Outlet	Flange (A) In x Outlet	Specified head- Specified discharge	Max total head- max discharge	Output x Input (W)
NH-200PS-K	26 x 26	NPT1 x 1,G1 x 1	20 x 20	25 x 25	6.5-50 / 7.5-70	10-90 / 12-110	150-290
NH-200PS-K-3	26 x 26	NPT1 x 1,G1 x 1	20 x 20	25 x 25	6.5-50 / 7.5-70	10-90 / 12-110	150-290
NH-200-PS-Z-K	26 x 26	NPT1 x 1,G1 x 1	20 x 20	25 x 25	9-20 / 8-30	12.5-35 / 16-37	150-290
NH-200PS-Z-K-3	26 x 26	NPT1 x 1,G1 x 1	20 x 20	25 x 25	9-20 / 8-30	12.5-35 / 16-37	150-290
NH-250PS-K	26 x 26	NPT1 x 1,G1 x 1	20 x 20	25 x 25	9-65 / 9-80	11.5-80 / 11.5-80	250-390
NH-250PS-K-3	26 x 26	NPT1 x 1,G1 x 1	20 x 20	25 x 25	9-65 / 9-80	11.5-80 / 11.5-80	250-390
NH-250PS-K-3E	26 x 26	NPT1 x 1,G1 x 1	20 x 20	25 x 25	9-65 / 9-80	12.5-120 / 14-120	JEM-0.2kW
NH-300PS-K	26 x 20	NPT1 x 3/4,G1 x 3/4	20 x 16	- - -	16-50 / 21-50	20-50 / 25-50	330-460
NH-300PS-K-3	26 x 20	NPT1 x 3/4,G1 x 3/4	20 x 16	- - -	16-50 / 21-50	20-50 / 25-50	330-460

Performance curve



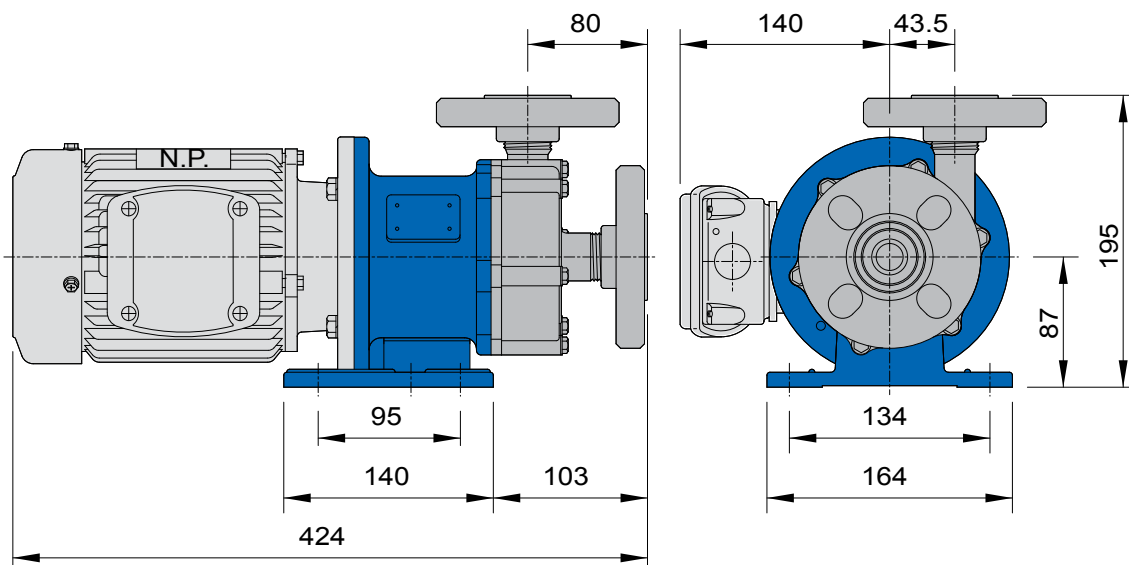
Installation dimension



unit : mm

MODEL	W	H	L	a	b	c	d	e	f	g
NH-200PS-K	156	165	355	70	100	205	110	66	70	43.5
NH-200PS-K-3	156	165	345	70	100	205	110	66	70	43.5
NH-200PS-Z-K	156	165	355	70	100	205	110	66	70	43.5
NH-200PS-Z-K-3	156	165	345	70	100	205	110	66	70	43.5
NH-250PS-K	156	165	365	70	100	195	110	66	70	43.5
NH-250PS-K-3	156	165	355	70	100	195	110	66	70	43.5
NH-300PS-K	160	175	385	80	110	200	140	75	55	59
NH-300PS-K-3	160	175	375	80	110	200	140	75	55	59

Installation dimension for 250PS-K-3E in mm





PAN WORLD GROUP OF COMPANIES

Pan World Co., Ltd. (Japan)

TPW, Hong Yuan Co., Ltd. (Taiwan)

ISO9001 Certified

Pan World Asia Pacific Pte., Ltd. (Singapore)

ISO 9001 Certified

Jen Fu Technology Inc. (Taiwan)

Dongnam Engineering PW Co., Ltd. (Korea)

Pan World Pumps (M) SDN BHD. (Malaysia)

Shenzhen Rongchao Industry Co., Ltd.

(Guangzhou, China)

Shinfu Mechanical Co., Ltd. (China)

Pan World Rep. Office (U.S.A)

MPP (Phils) Inc. (Philippines)



PAN WORLD CO LTD

1097-18 MITSUKAIDO YAMADA-CHO,
JYOUSOU-SHI, IBARAKI-KEN, JAPAN

TEL : (81) 297-23-5560

FAX : (81) 297-23-5561

E-mail : aricomx@mx5.nisiq.net

<http://www.panworld-jp.com>



Specifications are subjected to changes without prior notice.