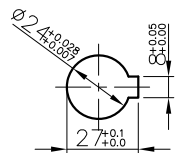
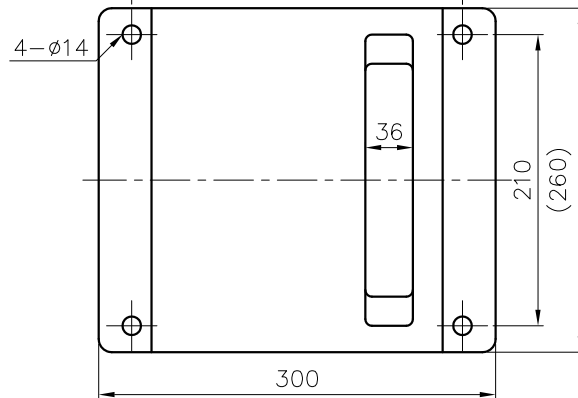


( L=50 )



SCALE = 1:2



DIMENSION TOLERANCE : JIS 16 CLASS

APPROVED		MDL. NAME		NH-553PWH/PWH-F	
UNIT	MM	CHECK	07 08 15	DWG. NAME	INSTALLATION DRAWING
SCALE	1:4	DESIGN	07 08 15	DWG. NO.	T1733211
EDITION	1	DR.BY	07 08 15 FANNY		A3

TPW  
HONG YUAN



PAN WORLD CO.,LTD.  
パンワールド株式会社