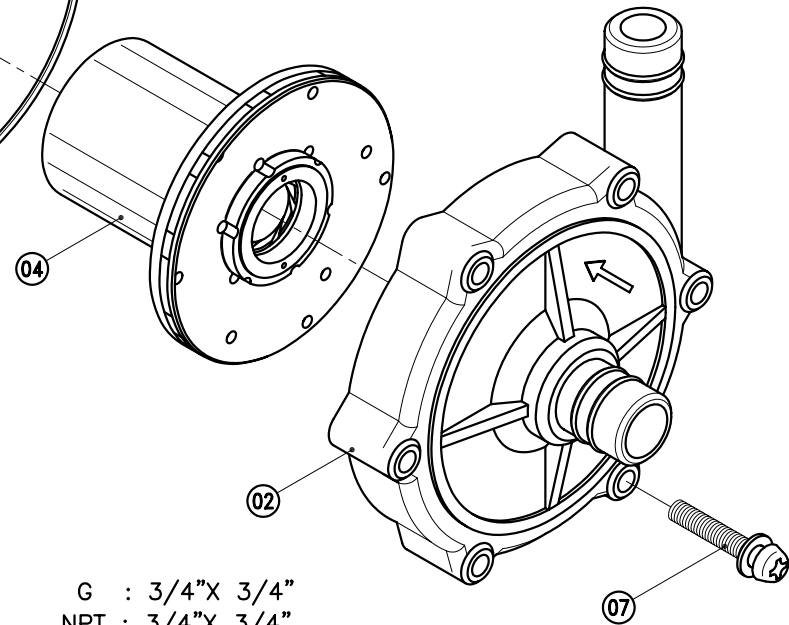



08	SET SCREW	2	S435	M4X5		
07	SCREW,CROSS RECESS HEAD w/t PLAIN WASHER	6	SUS304	M5X28		
06	O. RING	1	FKM	S80	1201412301	
05	OUTER DRIVE RING	1	ADC-12	φ70X63.5		
04	IMPELLER ASS'Y	1	PVDF	SIC	1201212504	
				CERAMIC	1201213504	
03	REAR CASING	1	PVDF	SIC	1201212405	
				CERAMIC	1211212308	
02	FRONT CASING	1	PVDF	SIC	HOSE	1201412300
				RULON	THREAD	1211412300
					HOSE	
					THREAD	
01	MOTOR	1	45W,2P	100~120V	1011212347	
				200~240V	1001212347	
NO	PART NAME	Q'TY	MATERIAL	NOTE	PART NO.	



G : 3/4" X 3/4"
NPT : 3/4" X 3/4"

APPROVED		MDL, NAME	NH-50PX-Z-N	
UNIT	MM	CHECK	07 11 02	
SCALE	7:10	DESIGN	02 27 97	
EDITION	2	DR.BY	07 11 02 BECKY	
		DWG, NAME	DECOMPOSITION DRAWING	
		DWG, NO.	B3051115	A3
TPW HONG YUAN		 PAN WORLD CO.,LTD. パンワールド 株式会社		