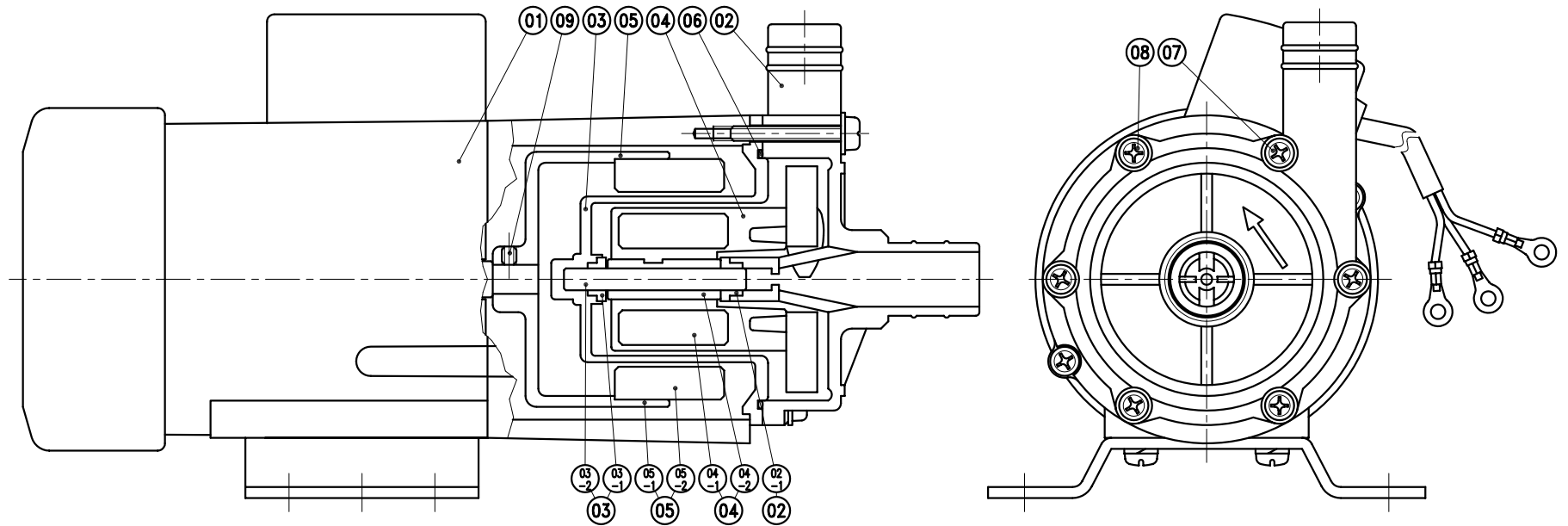


03-1	REAR THRUST PAD	1	PPS	∅12X∅6X5	P2329477	05	OUTER DRIVE RING	1	CERAMIC	∅70X63.5	P2509196	09	SET SCREW	2	S435	M4X5	P9119420
03	REAR CASING	1	PPG	∅80X59.5	P2309046	04-2	BEARING	1	CERAMIC	∅11X31	P2469482	08	SCREW,CROSS RECESS HEAD w/t P.W.(∅8X∅4.3Xt0.8)	4	SUS304	M4X15	A9111026
02-1	FRONT THRUST PAD	1	RULON	∅12X∅6X6	P2229765	04-1	INNER MAGNET	1	FERRITE	∅36X∅17X30	P2449487	07	SCREW,CROSS RECESS HEAD w/t P.W.(∅8X∅4.3Xt0.8)	2	SUS304	M4X30	A9111026
02	FRONT CASING	1	PPG	∅80X59.5	P2211041	04	IMPELLER ASS'Y	1	PPG	∅62X57.5	P2401042	06	O. RING	1	FKM	∅66.5X∅2	S67
01	MOTOR	100~120V,200~240V , 65W,1∅,2P				03-2	SPINDLE	1	CERAMIC	∅6X50	P2339291	05-2	OUTER MAGNET	1	FERRITE	∅66X30	P2529488
NO	PART NAME	Q'TY	MATERIAL	NOTE	DWG. NO.	NO	PART NAME	Q'TY	MATERIAL	NOTE	DWG. NO.	05-1	MAGNET HOUSING	1	ADC-12	∅70X48.5	P2519003
												NO	PART NAME	Q'TY	MATERIAL	NOTE	DWG. NO.



G : 3/4"X 3/4"  
NPT : 3/4"X 3/4"

APPROVED		MDL, NAME	NH-100PX	
UNIT	MM	CHECK	07 12 02	
SCALE	4:5	DESIGN	06 16 98	
EDITION	2	DR.BY	07 12 02 BECKY	DWG, NO. B2101169
TPW HONG YUAN		PAN WORLD CO.,LTD. パンワールド株式会社		