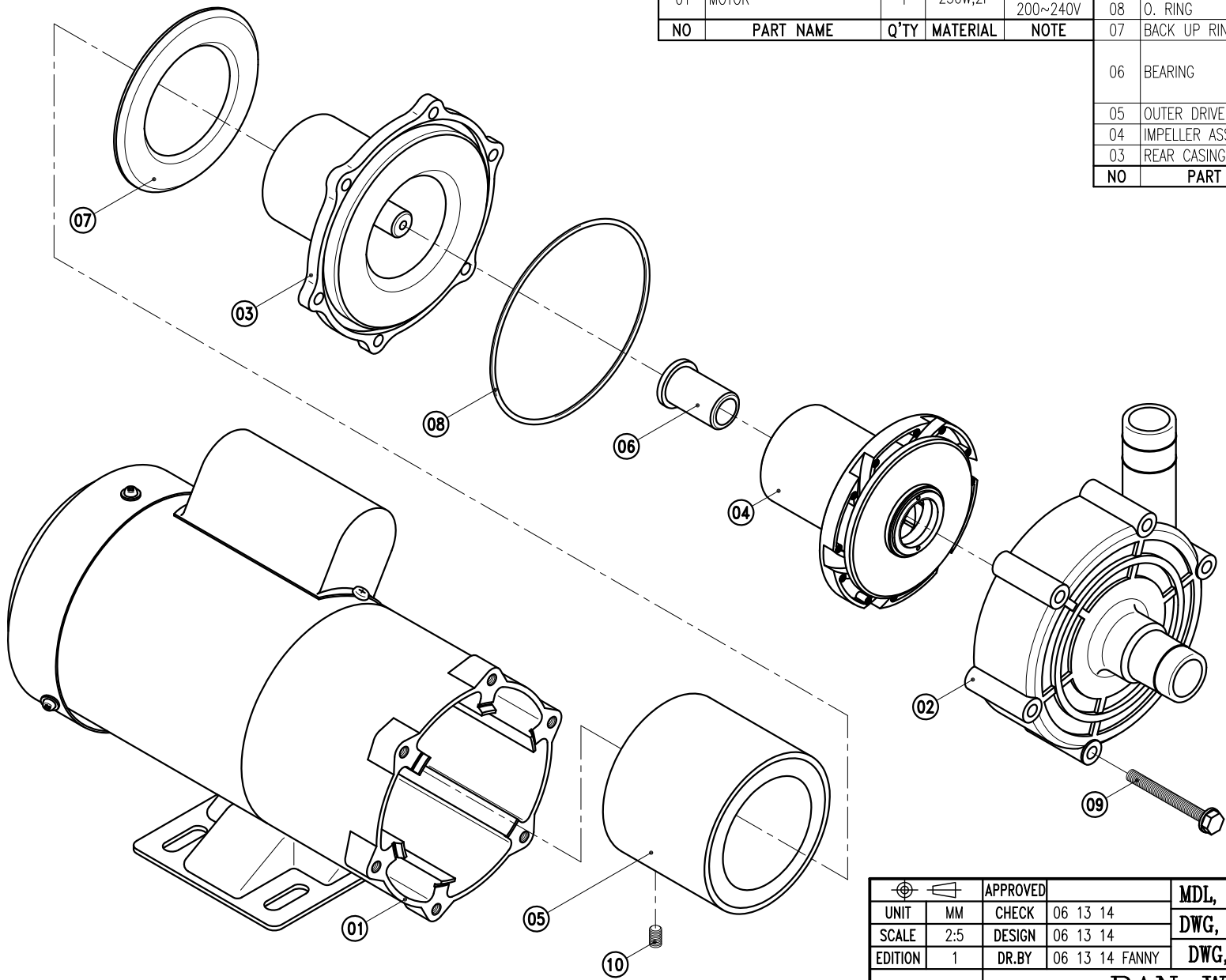


02	FRONT CASING	1	PPG	HOSE THREAD	10	SET SCREW	2	S435	M6X10
01	MOTOR	1	250W,2P	100~120V 200~240V	09	HEAXGON HEAD BOLT w/t PLAIN WASHER	6	SUS304	M6X55
NO	PART NAME	Q'TY	MATERIAL	NOTE	08	O. RING	1	FKM	G110
					07	BACK UP RING	1	SUS304	φ98X4.5
					06	BEARING	1	CERAMIC CARBON RULON	φ25X35
					05	OUTER DRIVE RING	1	ADC-12	φ86X86
					04	IMPELLER ASS'Y	1	PPG	
					03	REAR CASING	1	PPS	φ123X75
NO	PART NAME	Q'TY	MATERIAL	NOTE					



HOSE: 26mm X 26mm
G : 1" X 1"
NPT : 1" X 1"

APPROVED		MDL, NAME	NH-275PS	
UNIT	MM	CHECK	06 13 14	
SCALE	2:5	DESIGN	06 13 14	
EDITION	1	DR.BY	06 13 14 FANNY	DWG, NO. T3272184 A3

TPW
HONG YUAN



PAN WORLD CO.,LTD.
パンワールド株式会社