

(L:0.75kW=40 , 1.5kW=50 , 2.2kW=50)

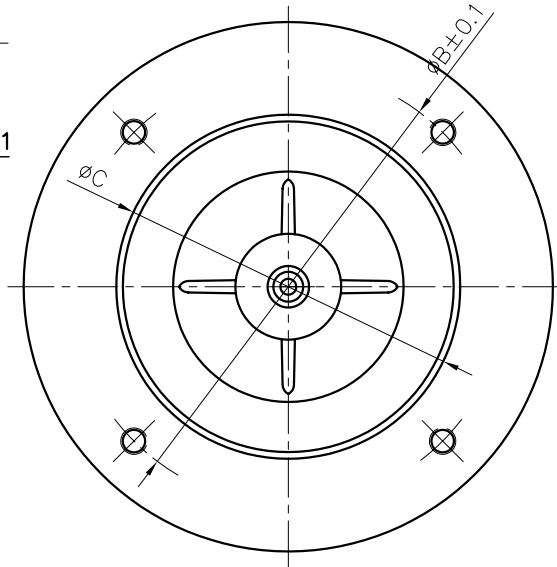
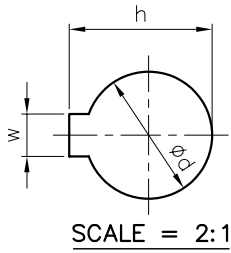


Table 1.

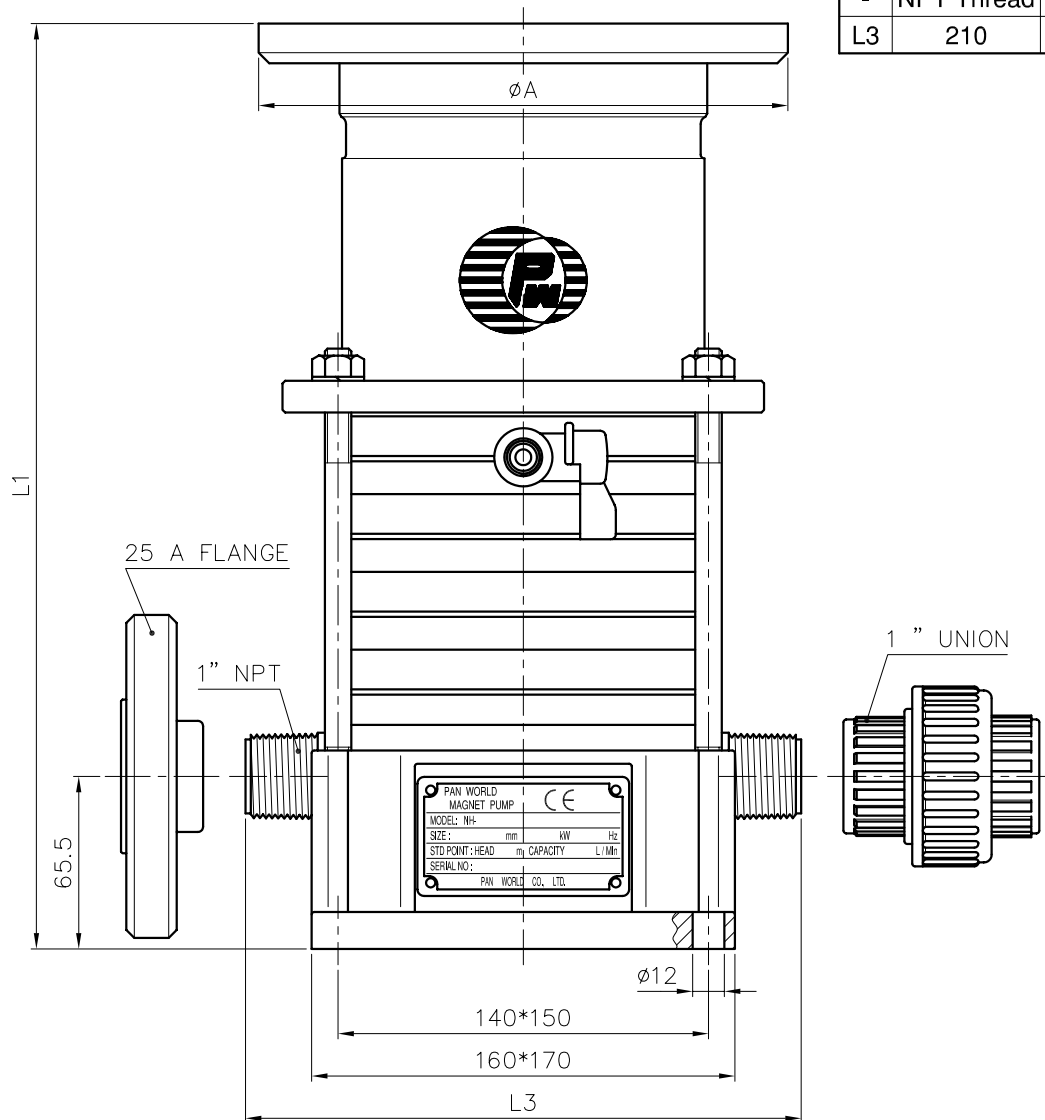
Required Motor	d	h	w
0.37 kW	*	*	*
0.75 kW	19 ^{+0.028} / _{+0.007}	21.5 ^{+0.1} / _{+0.0}	6 ^{+0.05} / _{+0.00}
1.5 kW	24 ^{+0.028} / _{+0.007}	27 ^{+0.1} / _{+0.0}	8 ^{+0.05} / _{+0.00}
2.2 kW	24 ^{+0.028} / _{+0.007}	27 ^{+0.1} / _{+0.0}	8 ^{+0.05} / _{+0.00}

Table 2.

Required Motor	L1	A	B	C
0.37 kW	*	*	*	*
0.75 kW	340	200	165	130
1.5 kW	350	200	165	130
2.2 kW	350	200	165	130

Table 3.

-	NPT Thread	Union	Flange
L3	210	275	232



APPROVED		MDL, NAME	NH-250PMV-4 NH-250PMV-F-4
UNIT	MM	CHECK	08 22 05
SCALE	1:2	DESIGN	08 22 05
EDITION	1	DR.BY	08 22 05 BECKY
TPW HONG YUAN		DWG, NAME	INSTALLATION DRAWING
		DWG, NO.	E1258493
			A3

DIMENSION TOLERANCE : JIS 16 CLASS



PAN WORLD CO.,LTD.
パンワールド株式会社