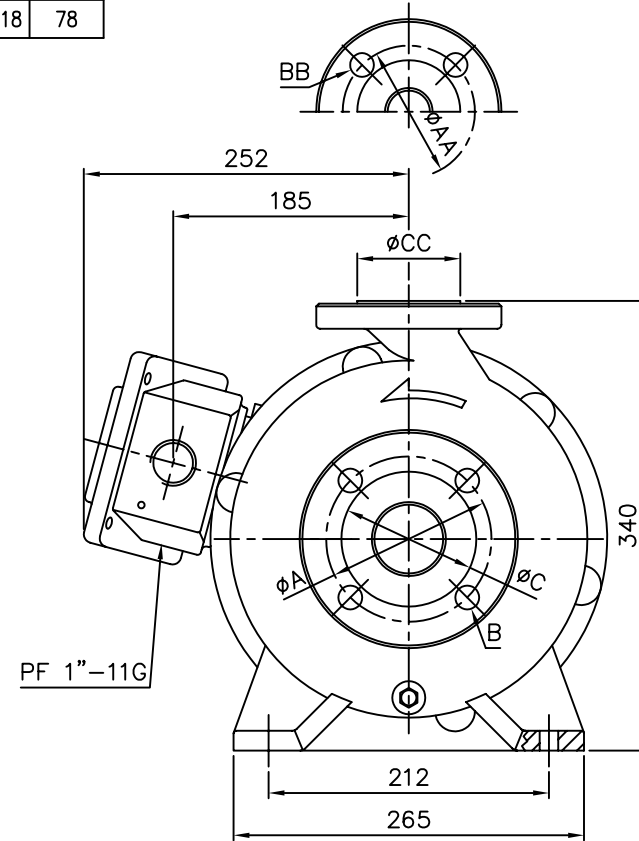
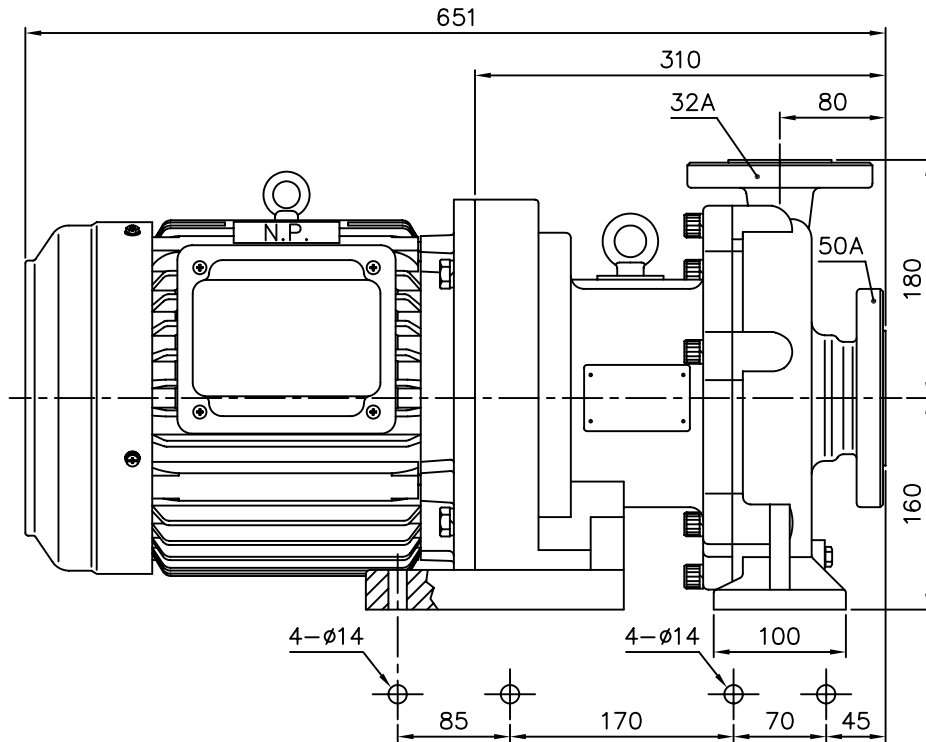


	Suction 50A			Discharge 32A		
	A	B	C	AA	BB	CC
JIS 16K	120	8- ϕ 19	100	100	4- ϕ 19	80
DIN PN 16	125	4- ϕ 18	102	100	4- ϕ 18	78



DIMENSION TOLERANCE : JIS 16 CLASS

		APPROVED		MDL, NAME	
UNIT	MM	CHECK	12 06 02	NH-32-100PG (5.5kW)	
SCALE	1:4	DESIGN	11 16 00	NH-32-120PG	
EDITION	1	DR.BY	12 06 02 BECKY	NH-32-140PG	
			NH-32-160PG		A3
			DWG, NAME		INSTALLATION DRAWING
			DWG, NO.		B1326307
TPW HONG YUAN			PAN WORLD CO.,LTD. パンワールド株式会社		