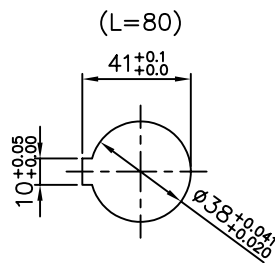
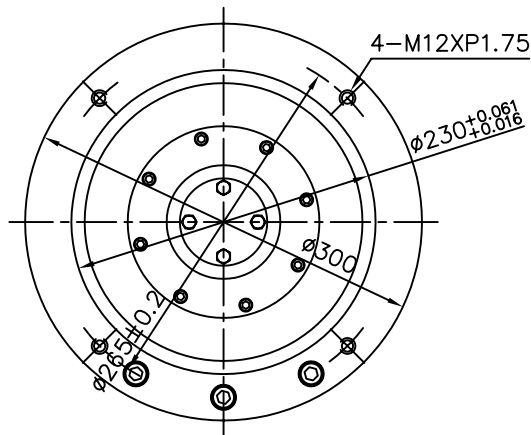
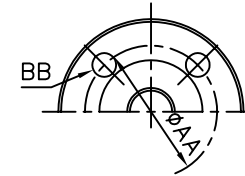
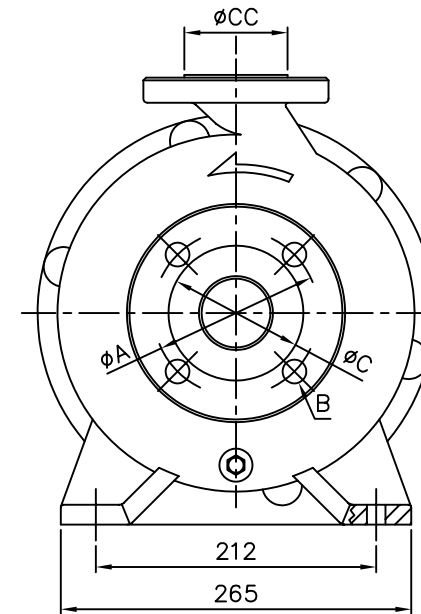
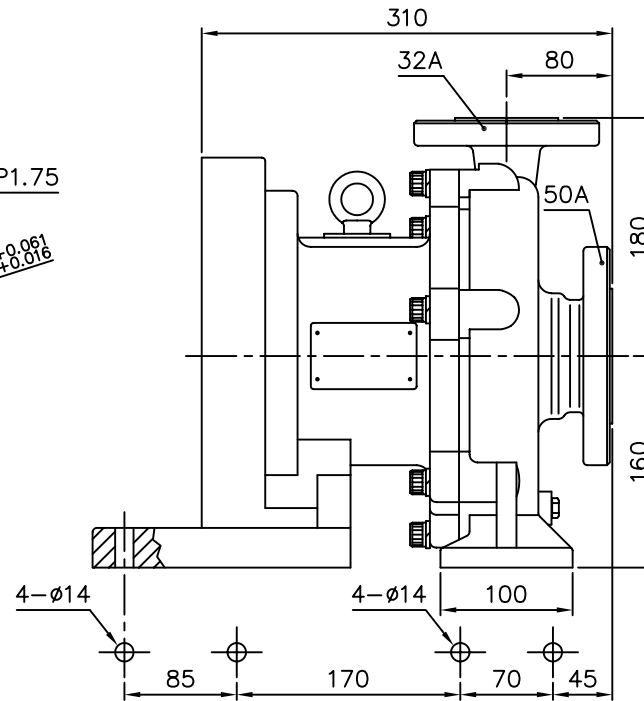



	Suction 50A			Discharge 32A		
	A	B	C	AA	BB	CC
JIS 16K	120	8- ϕ 19	100	100	4- ϕ 19	80
DIN PN 16	125	4- ϕ 18	102	100	4- ϕ 18	78



SCALE = 2:1



APPROVED	CHECK	10 31 02	MDL, NAME	NH-32-100PG	NH-32-160PG
				NH-32-120PG	(5.5kW)
UNIT	MM	DESIGN	01 16 02	DWG, NAME	
SCALE	1:4	DR.BY	10 31 02 BECKY	INSTALLATION DRAWING	
EDITION	1	DWG, NO.		B1326698	A3
TPW HONG YUAN			 PAN WORLD CO.,LTD. パンワールド株式会社		