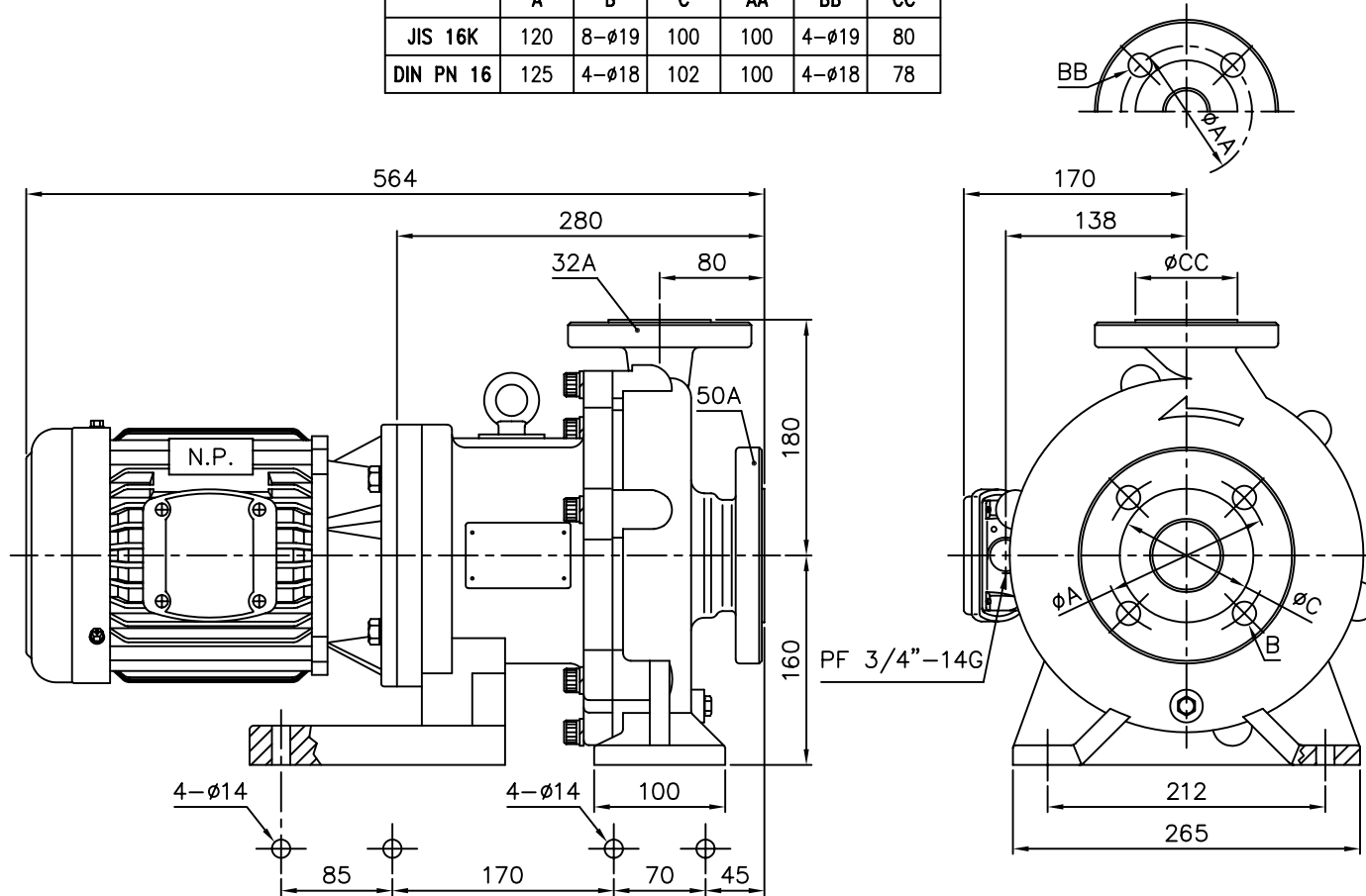


	Suction 50A			Discharge 32A		
	A	B	C	AA	BB	CC
JIS 16K	120	8- ϕ 19	100	100	4- ϕ 19	80
DIN PN 16	125	4- ϕ 18	102	100	4- ϕ 18	78



UNIT	MM	CHECK	11 12 02	MDL, NAME	NH-32-100PG (2.2kW)
SCALE	1:4	DESIGN	01 16 02	DWG, NAME	INSTALLATION DRAWING
EDITION	1	DR.BY	11 12 02 BECKY	DWG, NO.	B1326309 A3

TPW
HONG YUAN



PAN WORLD CO.,LTD.
パンワールド株式会社