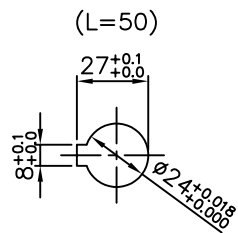
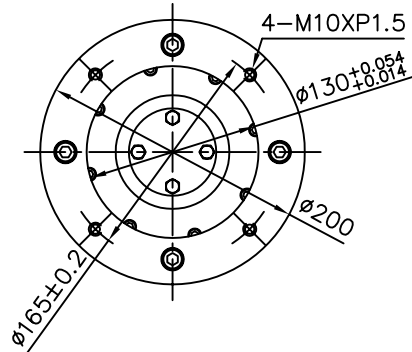
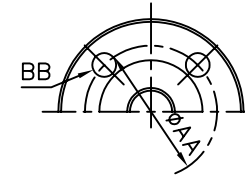
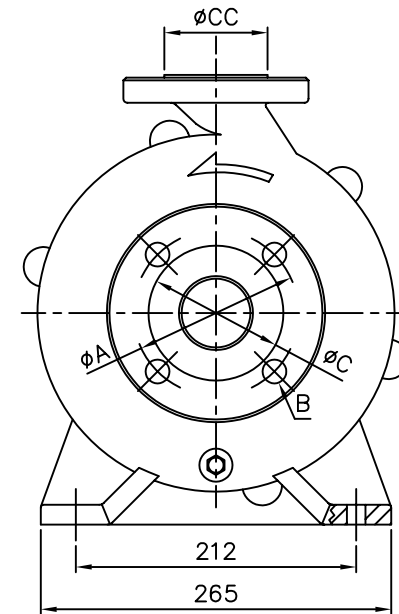
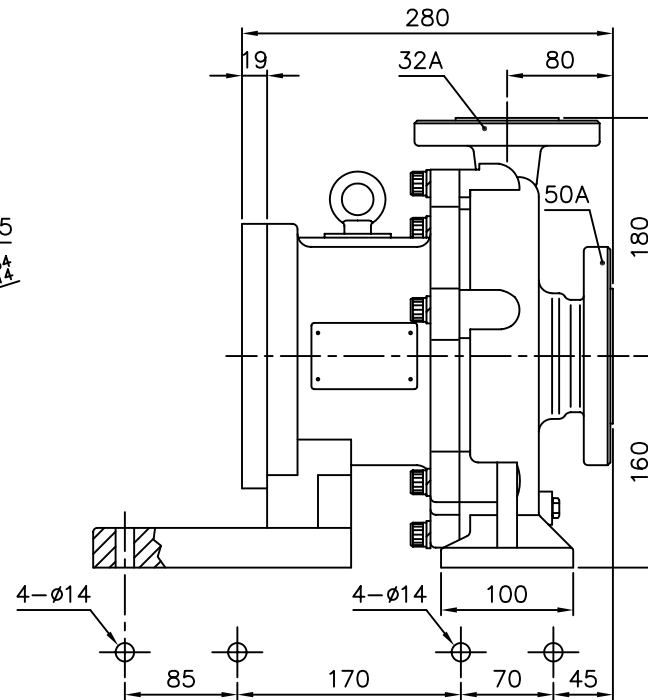


	Suction 50A			Discharge 32A		
	A	B	C	AA	BB	CC
JIS 16K	120	8- $\phi$ 19	100	100	4- $\phi$ 19	80
DIN PN 16	125	4- $\phi$ 18	102	100	4- $\phi$ 18	78



SCALE = 2:1



		APPROVED		MDL, NAME	NH-32-100PG (2.2kW)
UNIT	MM	CHECK	11 01 02	DWG, NAME	INSTALLATION DRAWING
SCALE	1:4	DESIGN	01 16 02	DWG, NO.	B1326696
EDITION	1	DR.BY	11 01 02 BECKY		A3
TPW HONG YUAN		<b>PAN WORLD CO.,LTD.</b> <b>パンワールド株式会社</b>			