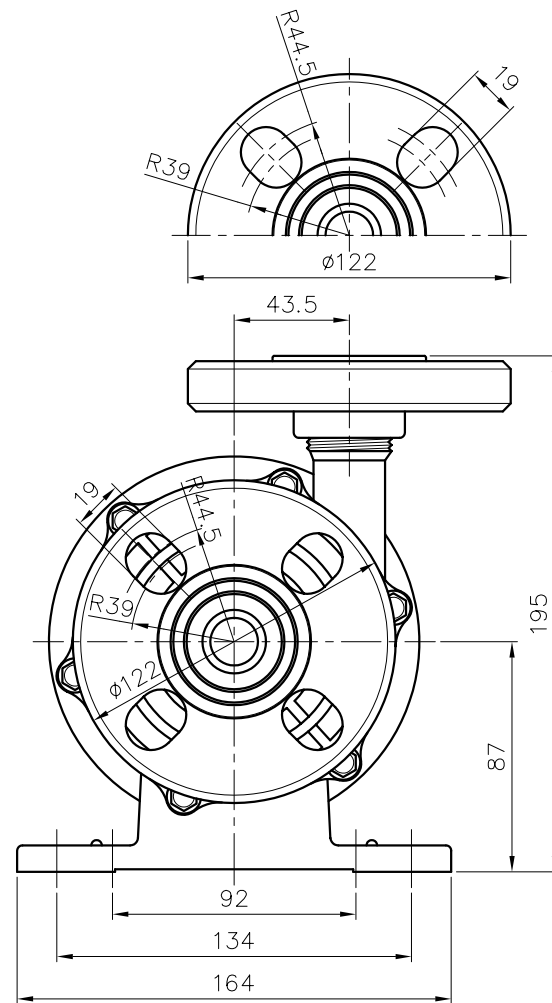
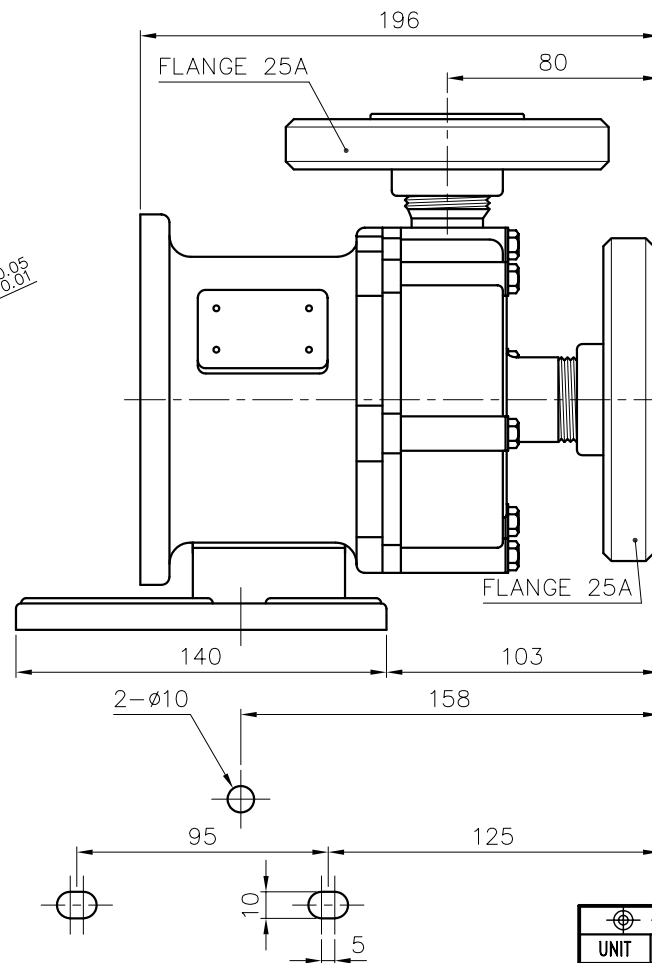



(L = 23)



Frame No. : 63M

DIMENSION TOLERANCE : JIS 16 CLASS

| | | | | | |
|------------------|-----|-----------|---|---------------------------|----|
| APPROVED | | MDL, NAME | | NH-250PS-3E NH-250PS-3E-F | |
| UNIT | MM | CHECK | 08 09 11 | NH-250PS-3E-K | |
| SCALE | 1:2 | DESIGN | 06 18 98 | DWG, NAME | |
| EDITION | 3 | DR.BY | 08 09 11 FANNY | INSTALLATION DRAWING | |
| | | | | DWG, NO. | A3 |
| | | | | E1252097 | |
| TPW HONG YUAN | | |  PAN WORLD CO.,LTD. パンワールド 株式会社 | | |