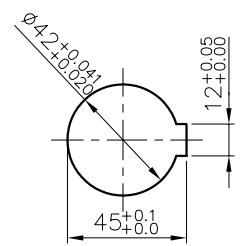
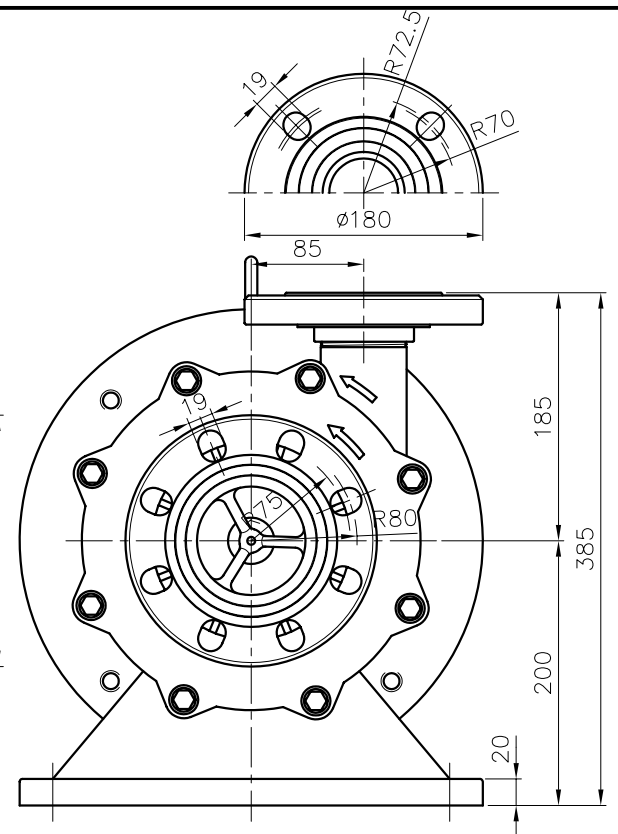
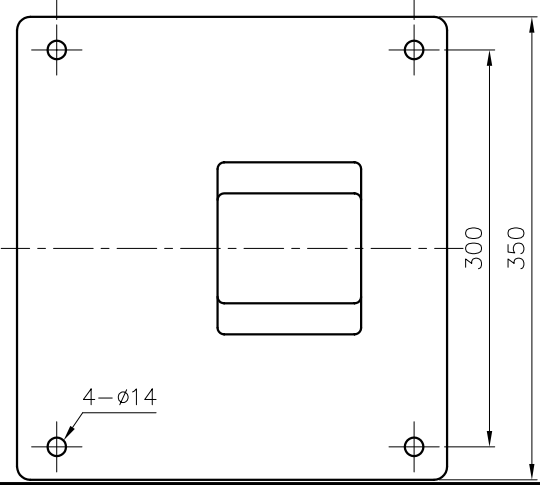
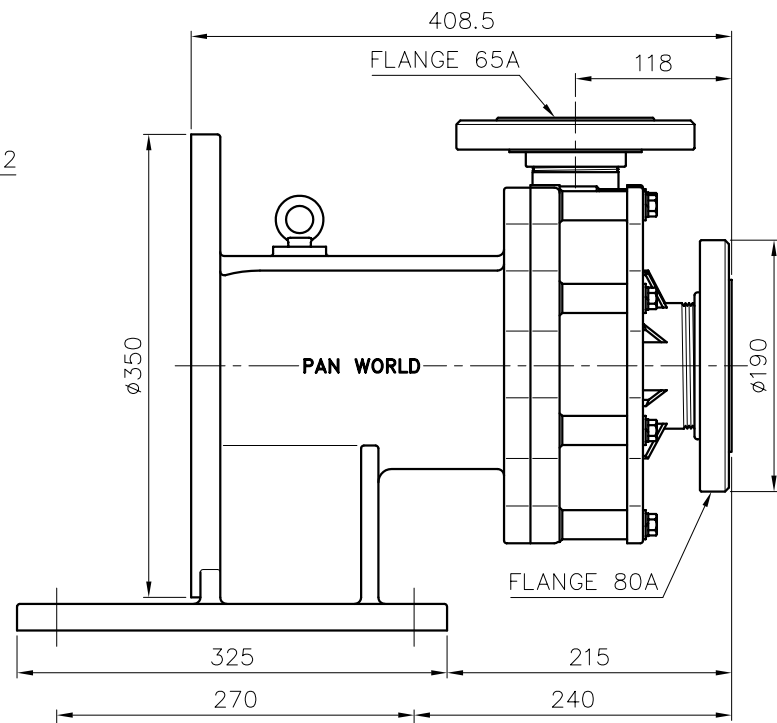


( L=110 )



SCALE = 1:2



DIMENSION TOLERANCE : JIS 16 CLASS

APPROVED		MDL, NAME	NH-6515PW/NH-6515PW-F		
UNIT	MM	CHECK	09 02 02	DWG, NAME	INSTALLATION DRAWING
SCALE	1:4	DESIGN	03 13 00	DWG, NO.	B1693620
EDITION	2	DR.BY	09 02 02 BECKY		A3

TPW  
HONG YUAN



PAN WORLD CO.,LTD.  
パンワールド株式会社