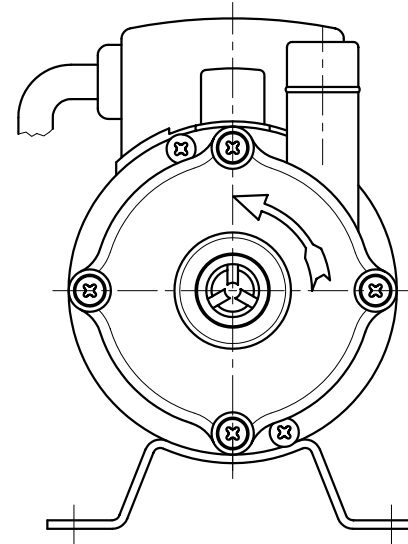
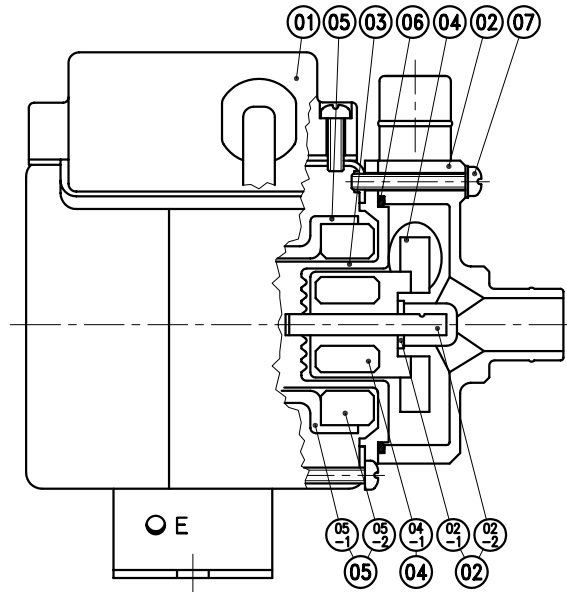



| 02-2 | SPINDLE | 1 | CERAMIC | φ4X29.7 | P2331107 | 05 | OUTER DRIVE RING | 1 | | φ41X62.5 | P2501413 | 07 | SCREW,CROSS RECESS HEAD w/t P.W.(φ6Xφ3.2Xt0.5) | 4 | SUS304 | M3X22 | P9111721 |
|------|--------------------|------|----------|--------------------------------|----------|------|------------------|------|----------|----------|----------|------|---|------|----------|------------|----------|
| 02-1 | FRONT THRUST PAD | 1 | RULON | φ9Xφ4.2X1.2 | A2221580 | 04-1 | INNER MAGNET | 1 | FERRITE | φ18X12 | P2441115 | 06 | O. RING | 1 | FKM | φ44.5Xφ2 | S45 |
| 02 | FRONT CASING ASS'Y | 1 | PPS | φ54X35 | P2201370 | 04 | IMPELLER VANE | 1 | PPG | φ33X22.5 | P2401035 | 05-2 | OUTER MAGNET | 1 | FERRITE | φ38Xφ25X10 | P2521094 |
| 01 | MOTOR | | | 100~120V,200~240V , 2.5W,1φ,2P | | 03 | REAR CASING | 1 | PPS | φ54X28.5 | P2301369 | 05-1 | MAGNET HOUSING | 1 | | φ41X59.5 | P1201373 |
| NO | PART NAME | Q'TY | MATERIAL | NOTE | DWG. NO. | NO | PART NAME | Q'TY | MATERIAL | NOTE | DWG. NO. | NO | PART NAME | Q'TY | MATERIAL | NOTE | DWG. NO. |



G : 1/2"X 1/2"
NPT : 1/2"X 1/2"

| | | | | | |
|------------------|-----|---|----------------|-----------|----------------------|
| APPROVED | | MDL. NAME | | NH-1PX | |
| UNIT | MM | CHECK | 12 31 03 | DWG. NAME | CONSTRUCTION DRAWING |
| SCALE | 1:1 | DESIGN | 09 01 98 | DWG. NO. | B2001303 A3 |
| EDITION | 3 | DR. BY | 12 31 03 BECKY | | |
| TPW HONG YUAN | |  PAN WORLD CO.,LTD. パンワールド株式会社 | | | |