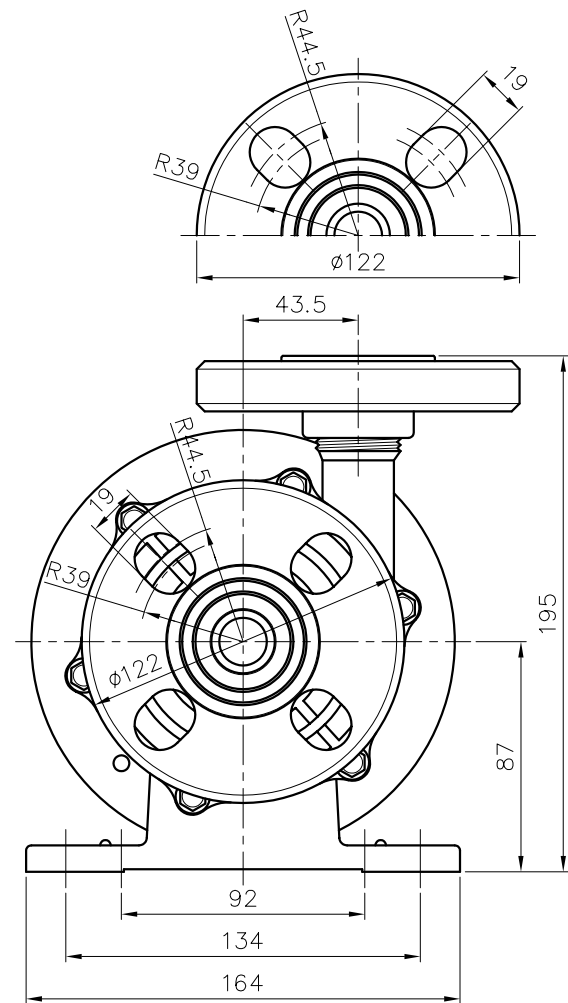
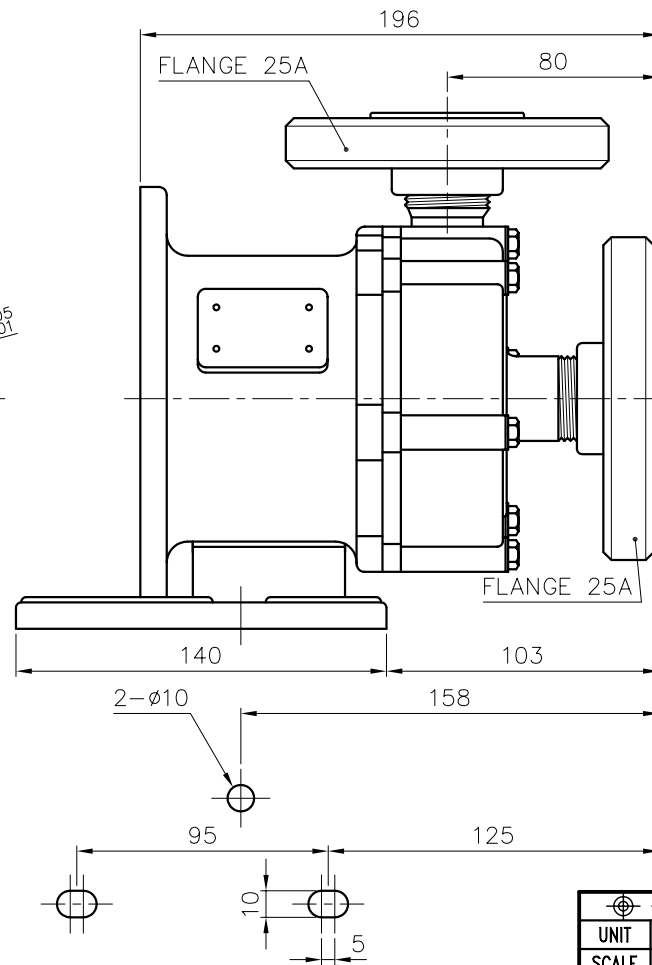


(L = 23)



Frame No. : 63

DIMENSION TOLERANCE : JIS 16 CLASS

| | | | |
|----------|-----|-----------|--|
| APPROVED | | MDL, NAME | NH-250PS-3E NH-250PS-3E-F NH-250PS-3E-K |
| UNIT | MM | CHECK | 08 09 11 |
| SCALE | 1:2 | DESIGN | 06 18 98 |
| EDITION | 3 | DR.BY | 08 09 11 FANNY |
| | | DWG, NAME | INSTALLATION DRAWING |
| | | DWG, NO. | E1252096 A3 |

TPW
HONG YUAN



PAN WORLD CO.,LTD.
パンワールド株式会社