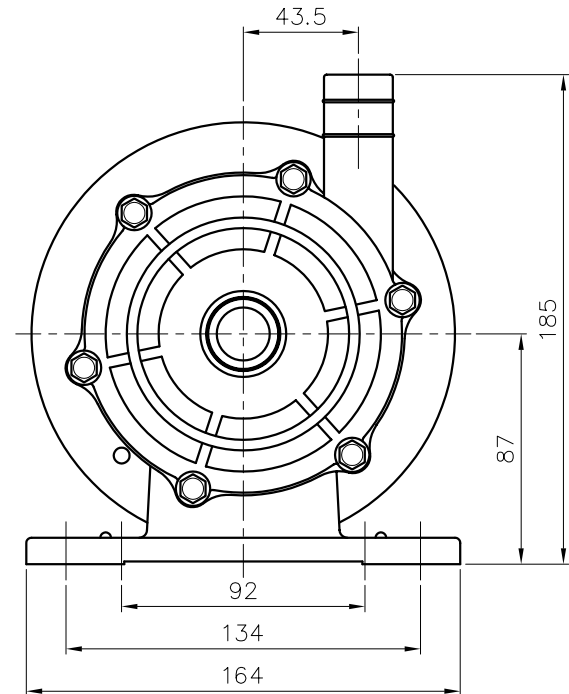
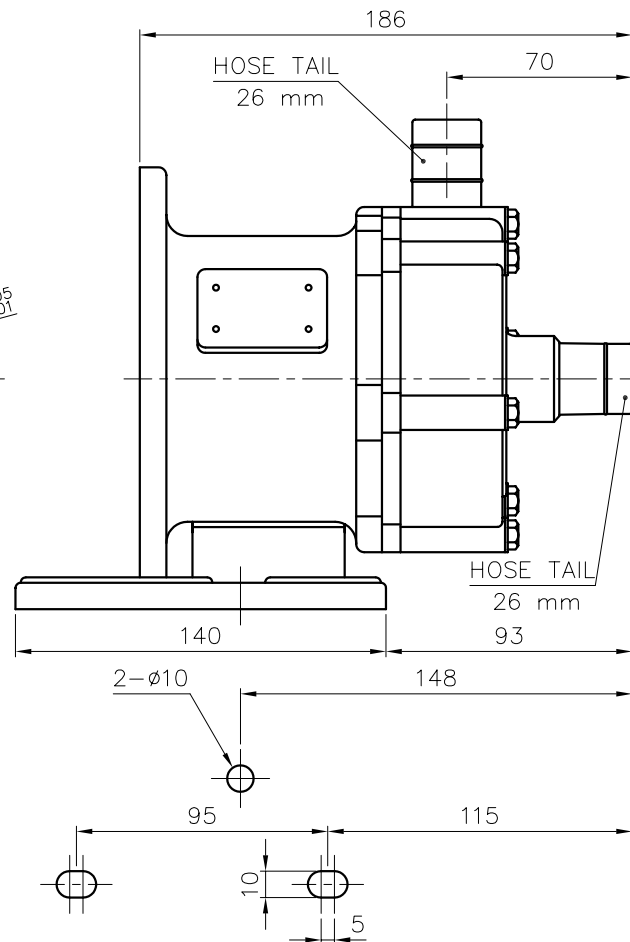



(L = 23)



Frame No. : 63

DIMENSION TOLERANCE : JIS 16 CLASS

| | | | | | |
|------------------|-----|--|----------------|---------------------------|----------|
| APPROVED | | MDL. NAME | | NH-250PS-3E NH-250PS-3E-F | |
| UNIT | MM | CHECK | 08 09 11 | NH-250PS-3E-K | |
| SCALE | 1:2 | DESIGN | 12 14 94 | DWG. NAME | |
| EDITION | 3 | DR. BY | 08 09 11 FANNY | INSTALLATION DRAWING | |
| | | | | DWG. NO. | B1252007 |
| | | | | | A3 |
| TPW HONG YUAN | |  PAN WORLD CO., LTD. パンワールド株式会社 | | | |