

Table 1.

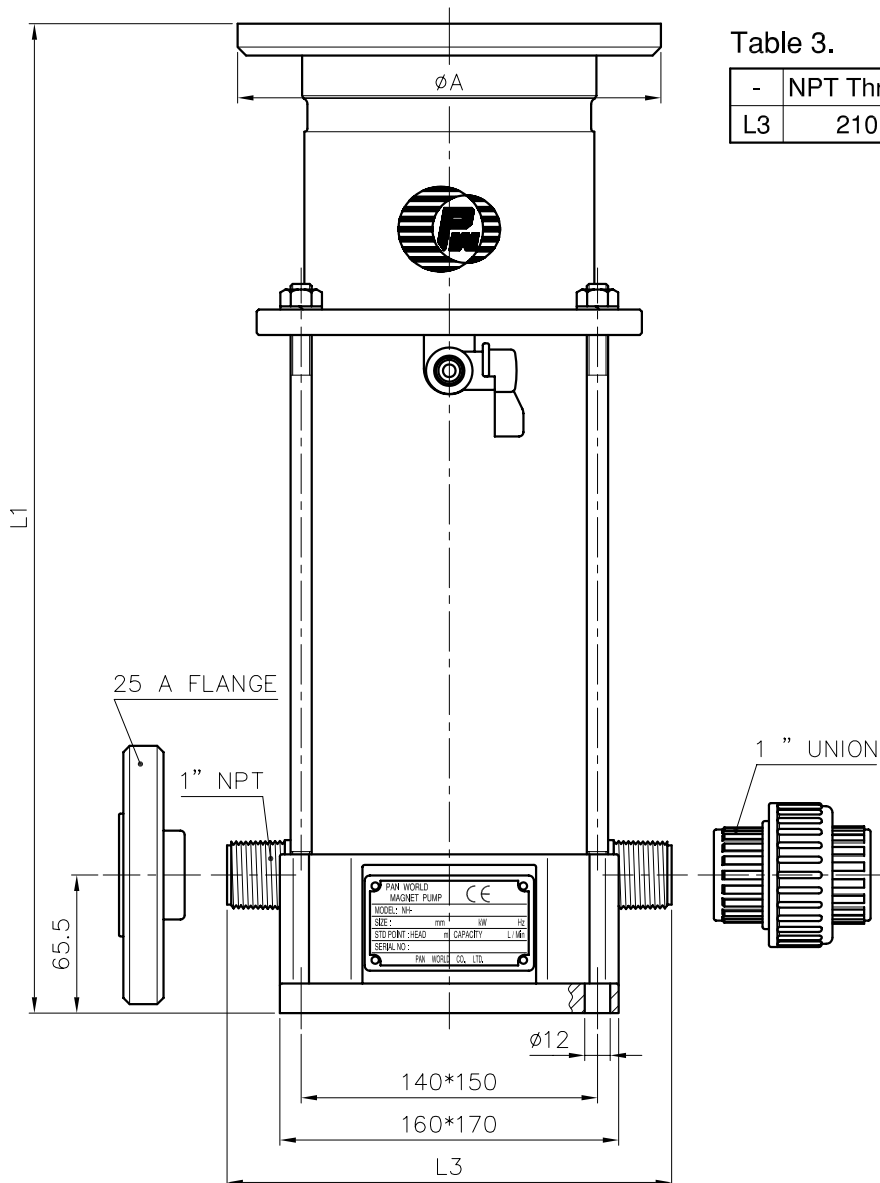
Required Motor	d	h	w
0.37 kW	*	*	*
0.75 kW	*	*	*
1.5 kW	*	*	*
2.2 kW	24 <sup>+0.028</sup> <sub>+0.007</sub>	27 <sup>+0.1</sup> <sub>+0.0</sub>	8 <sup>+0.05</sup> <sub>+0.00</sub>

Table 2.

Required Motor	L1	A	B	C
0.37 kW	*	*	*	*
0.75 kW	*	*	*	*
1.5 kW	*	*	*	*
2.2 kW	468	200	165	130

Table 3.

-	NPT Thread	Union	Flange
L3	210	275	232



APPROVED		MDL, NAME		NH-250PMV-8	
UNIT	MM	CHECK	08 22 05	NH-250PMV-F-8	
SCALE	2:5	DESIGN	08 22 05	DWG, NAME	
EDITION	1	DR.BY	08 22 05 BECKY	INSTALLATION DRAWING	
				DWG, NO.	E1258497
				A3	

DIMENSION TOLERANCE : JIS 16 CLASS

TPW  
HONG YUAN



PAN WORLD CO.,LTD.  
パンワールド株式会社