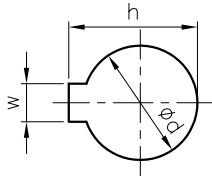


( L: 1.5kW=50 , 2.2kW=50 )



SCALE = 2:1

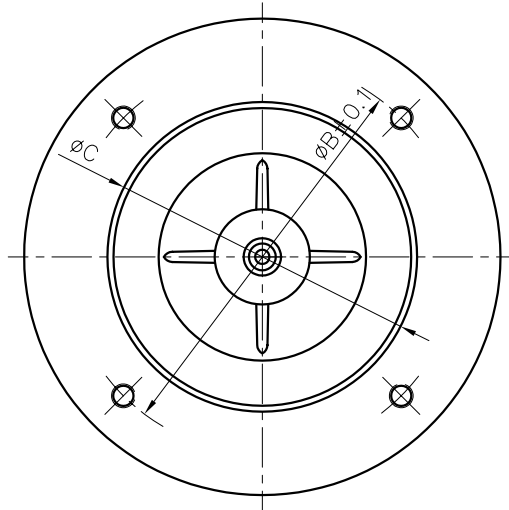


Table 1.

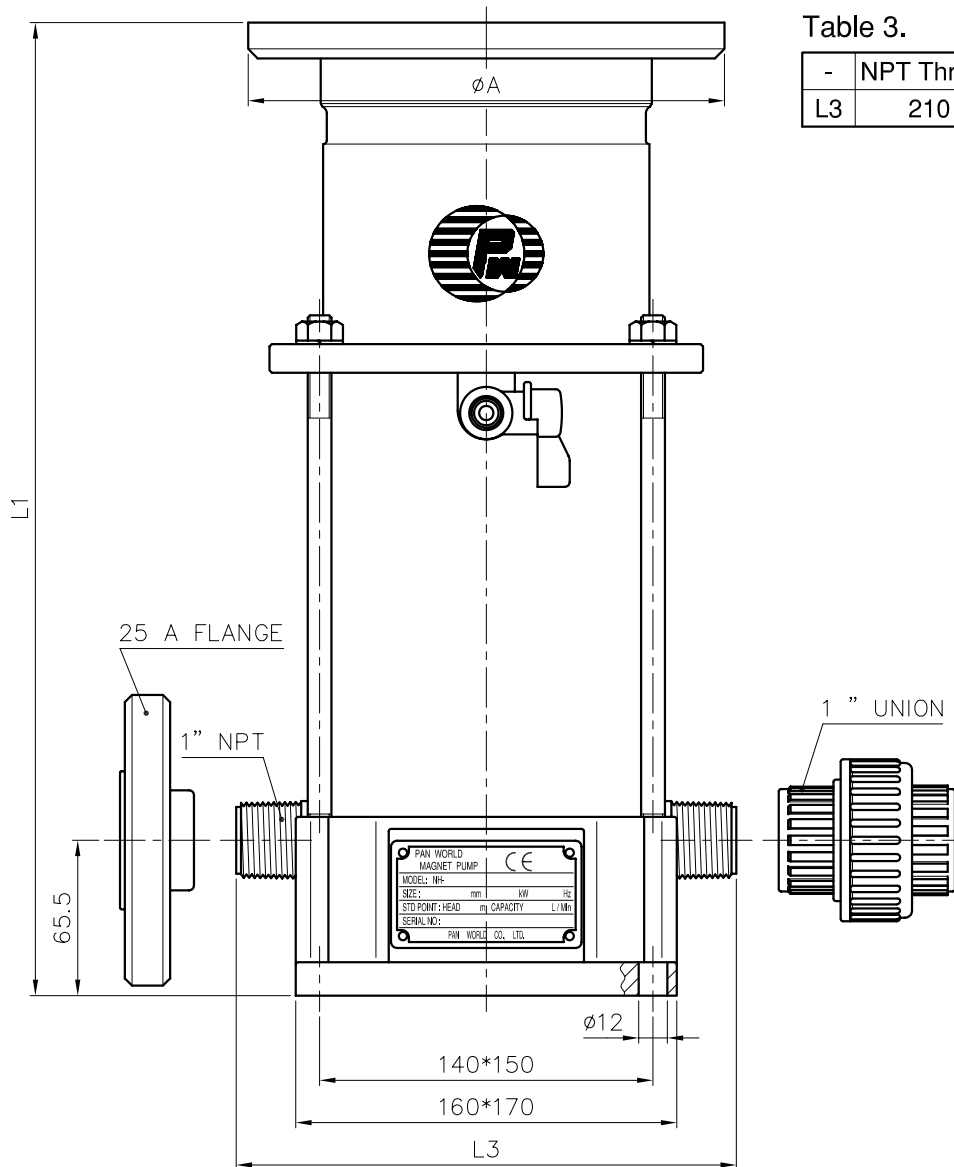
Required Motor	d	h	w
0.37 kW	*	*	*
0.75 kW	*	*	*
1.5 kW	24 <sup>+0.028</sup> / <sub>-0.007</sub>	27 <sup>+0.1</sup> / <sub>+0.0</sub>	8 <sup>+0.05</sup> / <sub>+0.00</sub>
2.2 kW	24 <sup>+0.028</sup> / <sub>-0.007</sub>	27 <sup>+0.1</sup> / <sub>+0.0</sub>	8 <sup>+0.05</sup> / <sub>+0.00</sub>

Table 2.

Required Motor	L1	A	B	C
0.37 kW	*	*	*	*
0.75 kW	*	*	*	*
1.5 kW	409	200	165	130
2.2 kW	409	200	165	130

Table 3.

-	NPT Thread	Union	Flange
L3	210	275	232



DIMENSION TOLERANCE : JIS 16 CLASS

APPROVED		MDL, NAME	NH-250PMV-6 NH-250PMV-F-6	
UNIT	MM	CHECK	08 22 05	
SCALE	9:20	DESIGN	08 22 05	
EDITION	1	DR.BY	08 22 05 BECKY	
TPW HONG YUAN		DWG, NAME	INSTALLATION DRAWING	
		DWG, NO.	E1258495	A3



PAN WORLD CO.,LTD.  
パンワールド株式会社