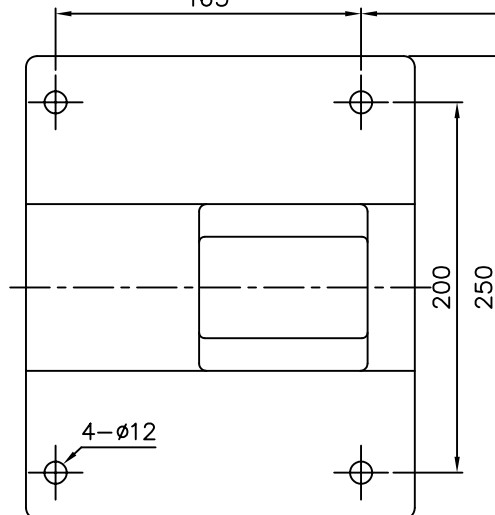
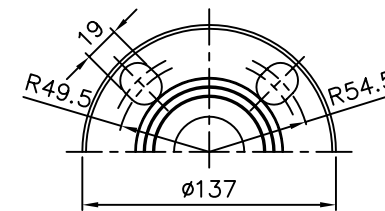
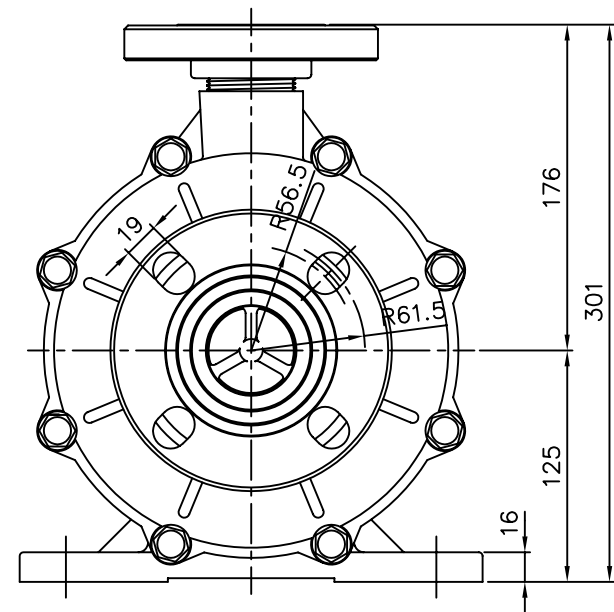
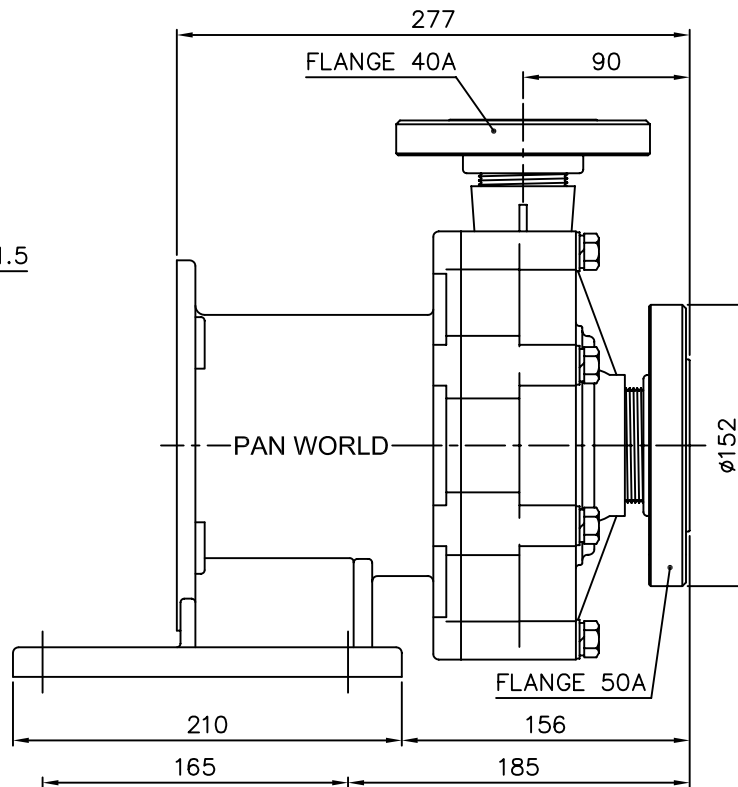


SCALE = 1:2



DIMENSION TOLERANCE : JIS 16 CLASS

APPROVED		MDL. NAME	NH-4012PH (2.2kW)		
UNIT	MM	CHECK	09 26 03	DWG. NAME	INSTALLATION DRAWING
SCALE	7:20	DESIGN	11 27 02	DWG. NO.	E1408198
EDITION	2	DR. BY	09 26 03 BECKY		A3

TPW
HONG YUAN



PAN WORLD CO.,LTD.
パンワールド株式会社