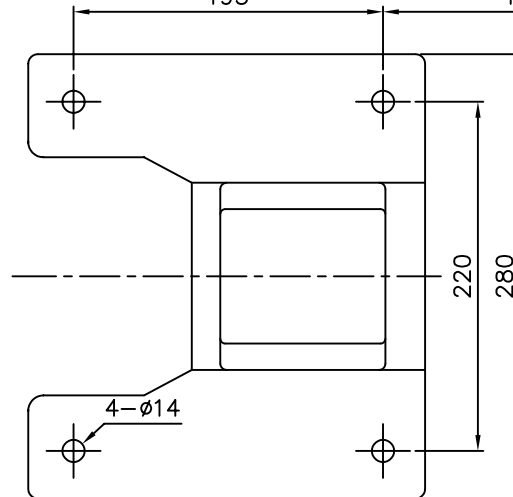


SCALE = 1:2



DIMENSION TOLERANCE : JIS 16 CLASS

		APPROVED		MDL. NAME	NH-4012PH (5.5kW)
UNIT	MM	CHECK	09 26 03	DWG. NAME	NH-4013PH (5.5kW)
SCALE	3:10	DESIGN	11 27 02	DWG. NO.	NH-4013PH (7.5kW)
EDITION	2	DR. BY	09 26 03 BECKY		
					INSTALLATION DRAWING
					E1408235
					A3

TPW
HONG YUAN



PAN WORLD CO.,LTD.
パンワールド株式会社