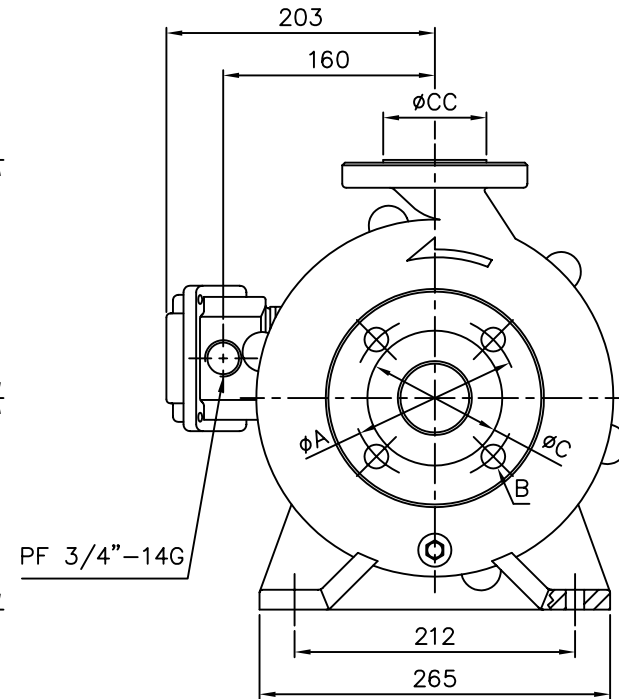
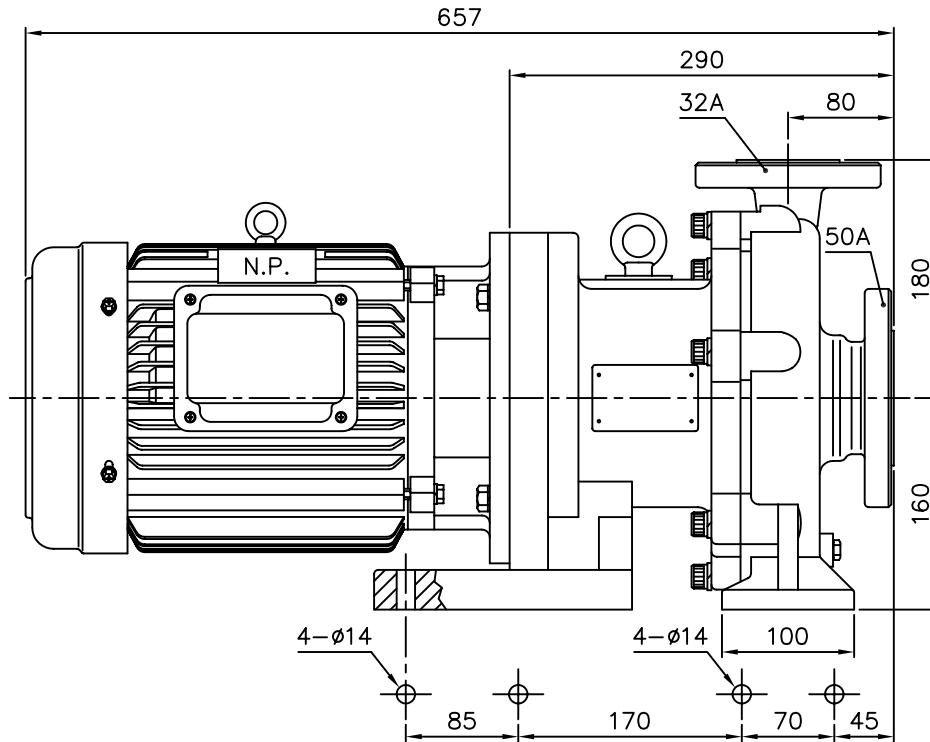
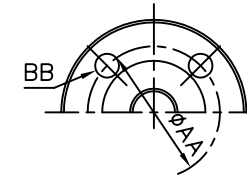


	Suction 50A			Discharge 32A		
	A	B	C	AA	BB	CC
JIS 16K	120	8- ϕ 19	100	100	4- ϕ 19	80
DIN PN 16	125	4- ϕ 18	102	100	4- ϕ 18	78



	APPROVED		MDL, NAME	NH-32-100PG NH-32-120PG NH-32-140PG (3.7kW)			
	UNIT	MM	CHECK	11 12 02	DWG, NAME	INSTALLATION DRAWING	
	SCALE	1:4	DESIGN	01 16 02	DWG, NO.	B1326300	A3
	EDITION	1	DR. BY	11 12 02 BECKY			
TPW HONG YUAN		PAN WORLD CO., LTD. パンワールド株式会社					