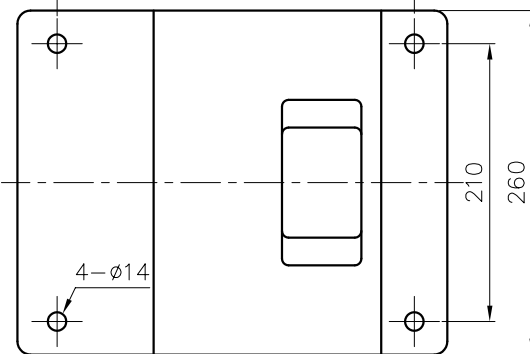


SCALE = 1:2



DIMENSION TOLERANCE : JIS 16 CLASS

|          |     |           |                |            |                      |
|----------|-----|-----------|----------------|------------|----------------------|
| APPROVED |     | MDL, NAME | NH-655PW       | NH-655PW-F |                      |
| UNIT     | MM  | CHECK     | 09 02 02       | DWG, NAME  | INSTALLATION DRAWING |
| SCALE    | 1:4 | DESIGN    | 02 18 00       | DWG, NO.   | B1653618             |
| EDITION  | 2   | DR.BY     | 09 02 02 BECKY |            | A3                   |

TPW  
HONG YUAN



PAN WORLD CO.,LTD.  
パンワールド株式会社