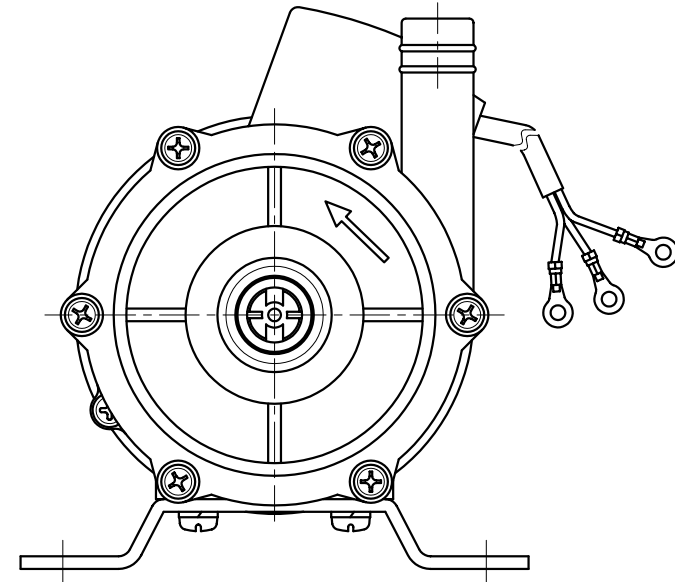
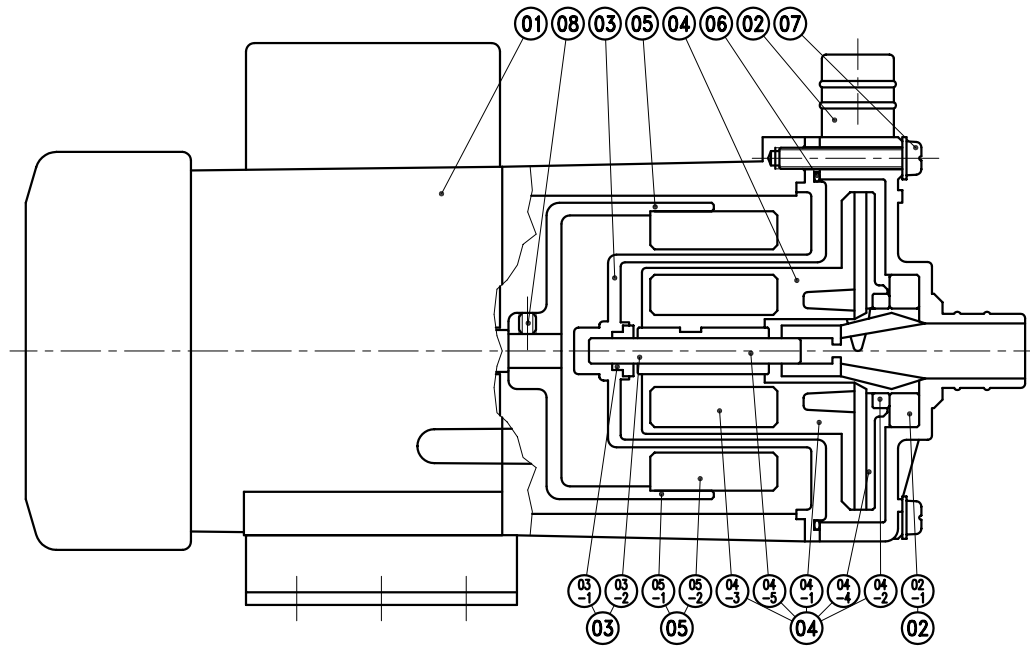


03-1	REAR THRUST PAD	1	TEFLON	∅12X∅6X5	P2329477	04-4	IMPELLER COVER	1	PVDF	∅76X6	P2451044	08	SET SCREW	2	S435	M4X5	P9119420
03	REAR CASING	1	PVDF	∅91X59.5	P2301047	04-3	INNER MAGNET	1	FERRITE	∅36X∅17X30	P2449487	07	SCREW,CROSS RECESS HEAD w/t P.W.(∅10X∅5.3Xt1)	6	SUS304	M5X28	P9111136
02-1	FRONT THRUST PAD	1	SIC	∅36X6.5	P2329095	04-2	MOUTH RING	1	RULON	∅27X4.5	P2421462	06	O. RING	1	FKM	∅79.5X2	S80
			CERAMIC		A2221276	04-1	IMPELLER VANE	1	PVDF	∅76X54	P2411045	05-2	OUTER MAGNET	1	FERRITE	∅66X30	P2529488
02	FRONT CASING	1	PVDF	∅91X48.5	P2211043	04	IMPELLER ASS'Y	1	PVDF	∅59X59.5	P2401195	05-1	MAGNET HOUSING	1	ADC-12	∅70X48.5	P2519003
01	MOTOR	100~120V,200~240V , 45W,1∅,2P				03-2	SPINDLE	1	SIC	∅6X50	P2339480	05	OUTER DRIVE RING	1		∅70X63.5	P2509196
									CERAMIC		P2339291	04-5	BEARING	1	SIC	∅11X31	A2469157
															CERAMIC		P2469482
NO	PART NAME	Q'TY	MATERIAL	NOTE	DWG. NO.	NO	PART NAME	Q'TY	MATERIAL	NOTE	DWG. NO.	NO	PART NAME	Q'TY	MATERIAL	NOTE	DWG. NO.



G : 3/4"X 3/4"
NPT : 3/4"X 3/4"

APPROVED		MDL, NAME	NH-100PX-Z-N		
UNIT	MM	CHECK	07 11 02	DWG, NAME	CONSTRUCTION DRAWING
SCALE	4:5	DESIGN	06 16 98	DWG, NO.	B2101091
EDITION	2	DR.BY	07 11 02 BECKY		A3
TPW HONG YUAN		 PAN WORLD CO.,LTD. パンワールド株式会社			