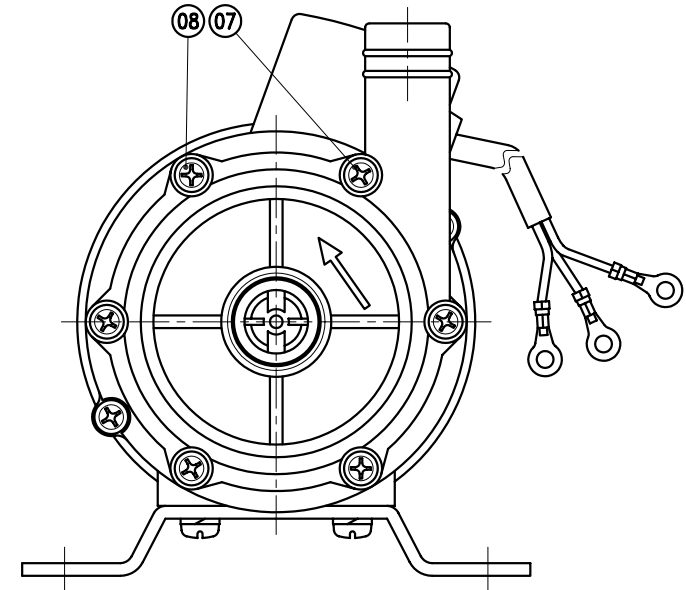
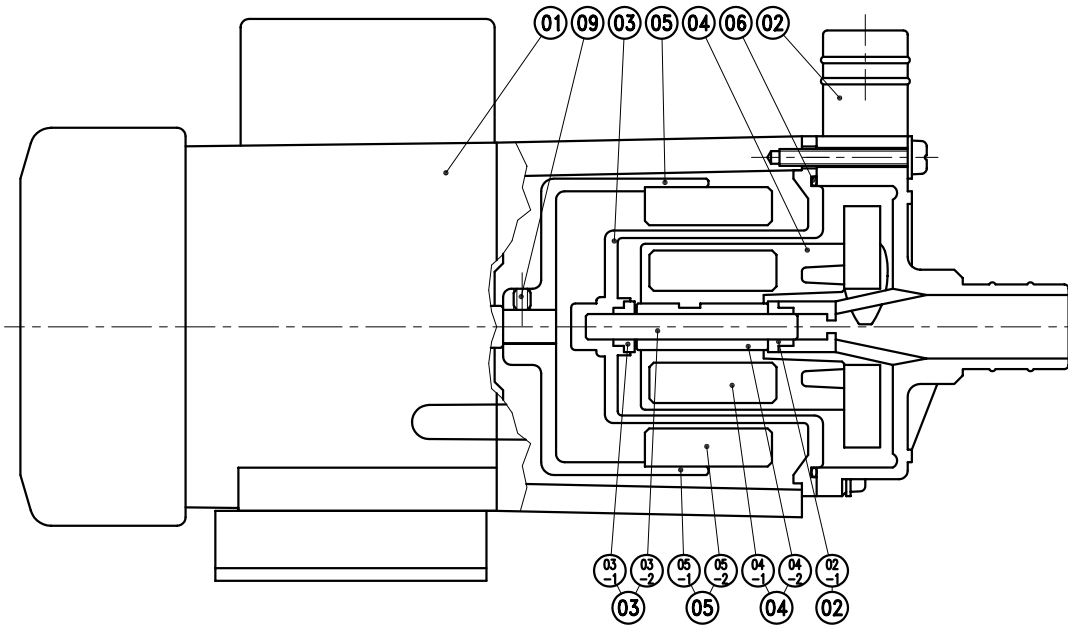



03-1	REAR THRUST PAD	1	TEFLON	∅12X∅6X5	P2329477	05	OUTER DRIVE RING	1	SIC	∅70X63.5	P2509196	09	SET SCREW	2	S435	M4X5	P9119420
03	REAR CASING	1	PVDF	∅80X59.5	P2309046				CERAMIC	∅11X31	A2469157 P2469482	08	SCREW,CROSS RECESS HEAD w/t P.W.(∅8X∅4.3Xt0.8)	4	SUS304	M4X15	A9111026
02-1	FRONT THRUST PAD	1	SIC	∅10X∅6X6	P2229119	04-2	BEARING	1	FERRITE	∅36X∅17X30	P2449487	07	SCREW,CROSS RECESS HEAD w/t P.W.(∅8X∅4.3Xt0.8)	2	SUS304	M4X30	A9111026
			RULON	∅12X∅6X6	P2229765	04-1	INNER MAGNET	1	PVDF	∅57X57.5	P2401192	06	O. RING	1	FKM	∅66.5X∅2	S67
02	FRONT CASING	1	PVDF	∅80X59.5	P2211041	04	IMPELLER VANE	1				05-2	OUTER MAGNET	1	FERRITE	∅66X30	P2529488
01	MOTOR	100~120V,200~240V , 45W,1∅,2P				03-2	SPINDLE	1	SIC	∅6X50	P2339480	05-1	MAGNET HOUSING	1	ADC-12	∅70X48.5	P2519003
									CERAMIC		P2339291						
NO	PART NAME	Q'TY	MATERIAL	NOTE	DWG. NO.	NO	PART NAME	Q'TY	MATERIAL	NOTE	DWG. NO.	NO	PART NAME	Q'TY	MATERIAL	NOTE	DWG. NO.



G : 3/4"X 3/4"  
NPT : 3/4"X 3/4"

APPROVED		MDL, NAME	NH-50PX-N		
UNIT	MM	CHECK	07 16 02	DWG, NAME	CONSTRUCTION DRAWING
SCALE	4:5	DESIGN	06 01 97	DWG, NO.	B2051023
EDITION	2	DR.BY	07 16 02 BECKY		A3
TPW HONG YUAN		 <b>PAN WORLD CO.,LTD.</b> <b>パンワールド 株式会社</b>			