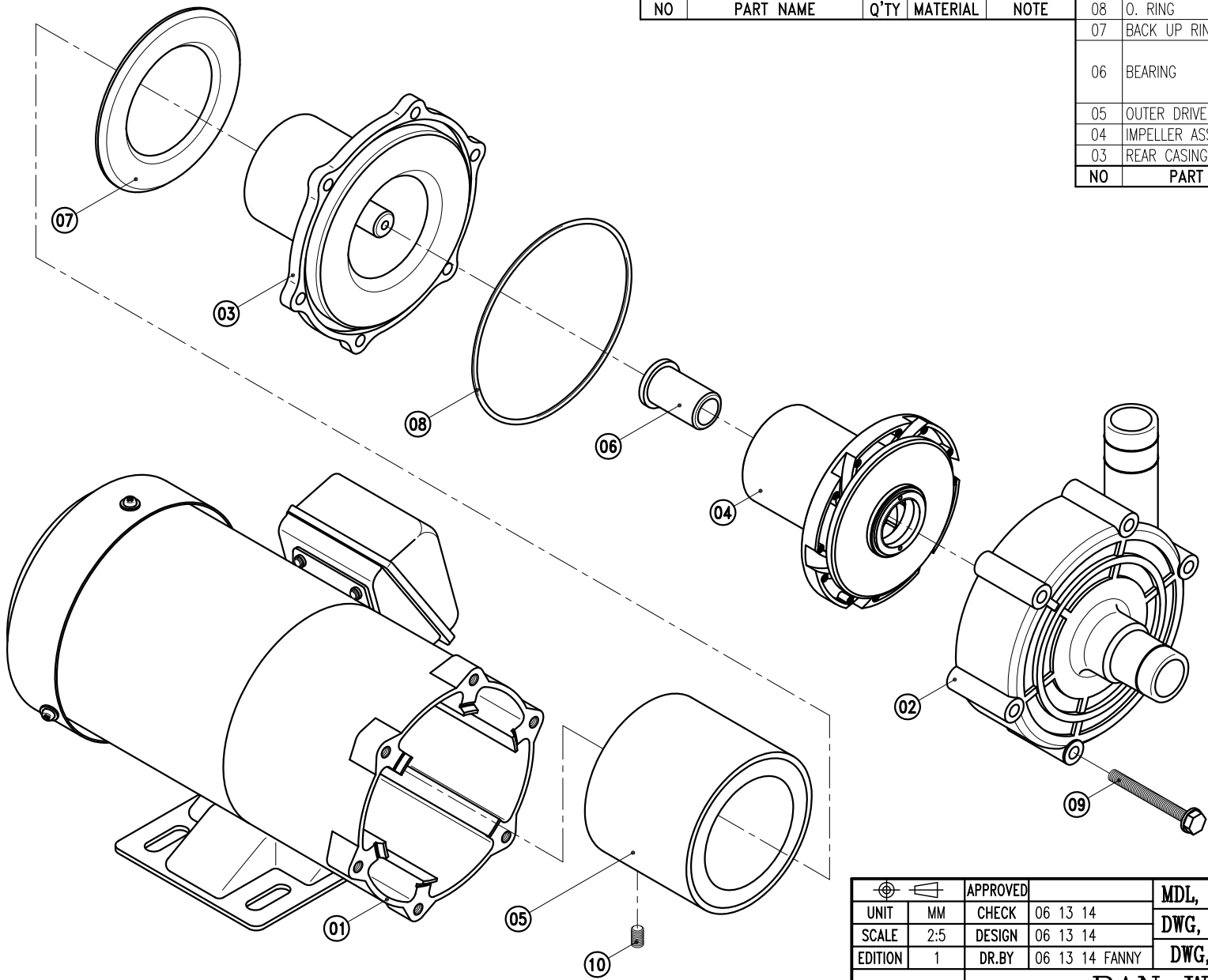



02	FRONT CASING	1	PPG	HOSE THREAD	10	SET SCREW	2	S435	M6X10
01	MOTOR	1	250W, 2P, 3φ		09	HEAXGON HEAD BOLT w/t PLAIN WASHER	6	SUS304	M6X55
NO	PART NAME	Q'TY	MATERIAL	NOTE	08	O. RING	1	FKM	G110
					07	BACK UP RING	1	SUS304	φ98X4.5
					06	BEARING	1	CERAMIC CARBON RULON	φ25X35
					05	OUTER DRIVE RING	1	ADC-12	φ86X86
					04	IMPELLER ASS'Y	1	PPG	
					03	REAR CASING	1	PPS	φ123.5X75
NO	PART NAME	Q'TY	MATERIAL	NOTE					



HOSE: 26mm X 26mm  
G : 1" X 1"  
NPT : 1" X 1"

APPROVED		MDL, NAME		NH-275PS-3	
UNIT	MM	CHECK	06 13 14	DWG, NAME	
SCALE	2:5	DESIGN	06 13 14	DECOMPOSITION DRAWING	
EDITION	1	DR.BY	06 13 14 FANNY	DWG, NO.	T3272186
			A3		
TPW HONG YUAN			 <b>PAN WORLD CO.,LTD.</b> <b>パンワールド株式会社</b>		