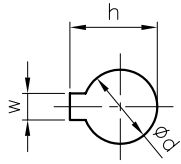


(L:0.37kW=30 , 0.75kW=40 , 1.5kW=50)



SCALE = 2:1

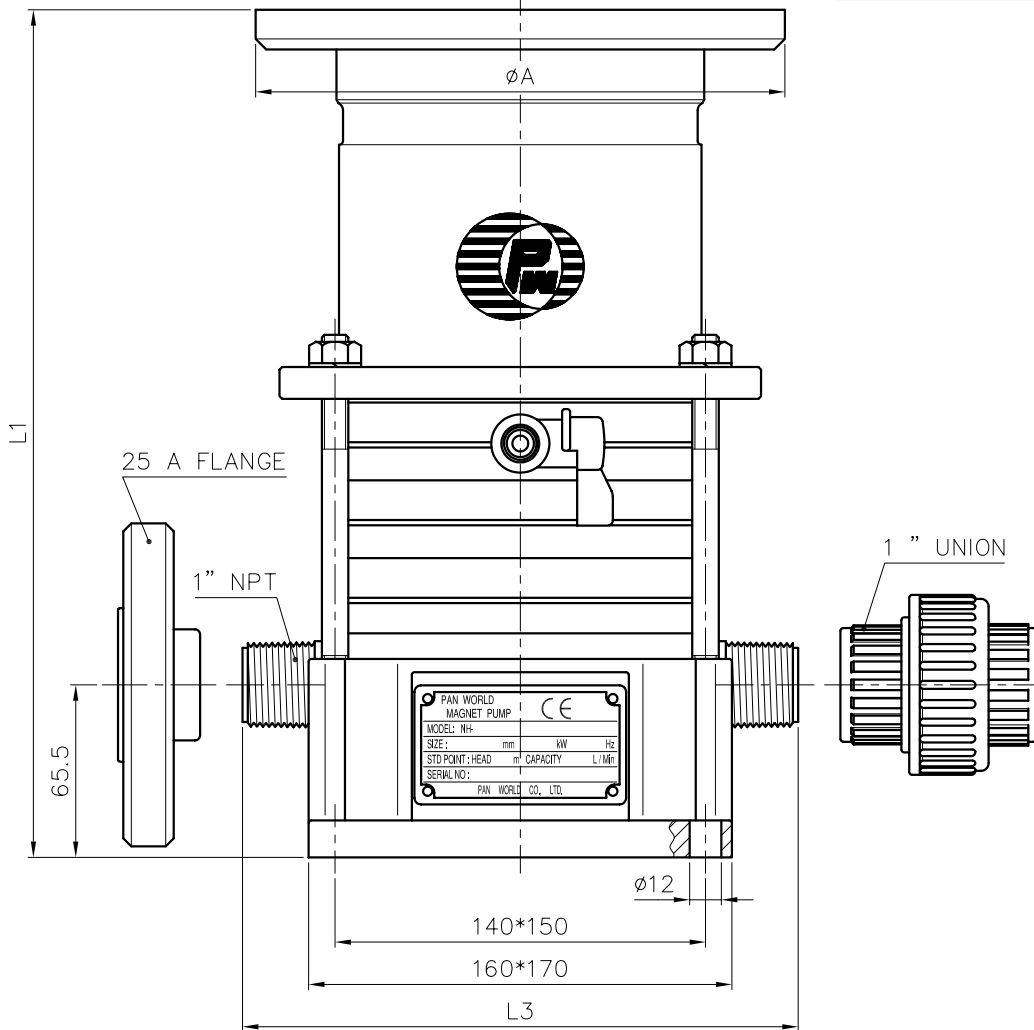
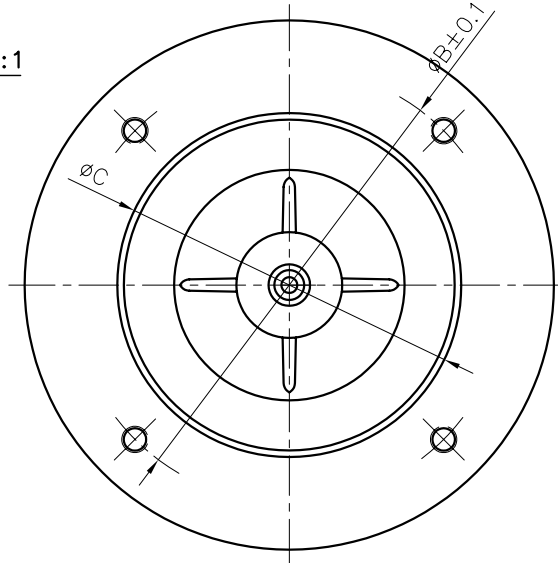


Table 1.

Required Motor	d	h	w
0.37 kW	14 ^{+0.018} _{-0.000}	16.5 ^{+0.1} _{+0.0}	5 ^{+0.1} _{+0.0}
0.75 kW	19 ^{+0.028} _{+0.007}	21.5 ^{+0.1} _{+0.0}	6 ^{+0.05} _{+0.00}
1.5 kW	24 ^{+0.028} _{+0.007}	27 ^{+0.1} _{+0.0}	8 ^{+0.05} _{+0.00}
2.2 kW	*	*	*

Table 2.

Required Motor	L1	A	B	C
0.37 kW	300.5	160	130	110
0.75 kW	310.5	200	165	130
1.5 kW	320.5	200	165	130
2.2 kW	*	*	*	*

Table 3.

-	NPT Thread	Union	Flange
L3	210	275	232

APPROVED		MDL, NAME	NH-250PMV-3 NH-250PMV-F-3
UNIT	MM	CHECK	08 22 05
SCALE	1:2	DESIGN	08 22 05
EDITION	1	DR.BY	08 22 05 BECKY
		DWG, NAME	INSTALLATION DRAWING
		DWG, NO.	E1258492
			A3

DIMENSION TOLERANCE : JIS 16 CLASS

TPW
HONG YUAN



PAN WORLD CO.,LTD.
パンワールド株式会社