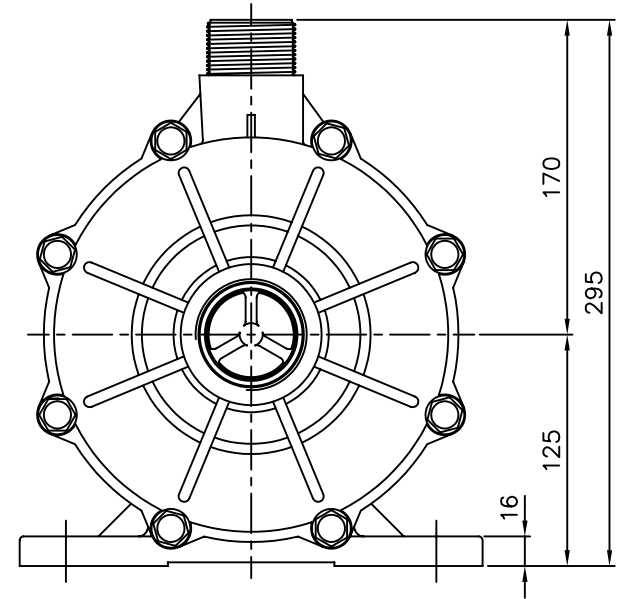
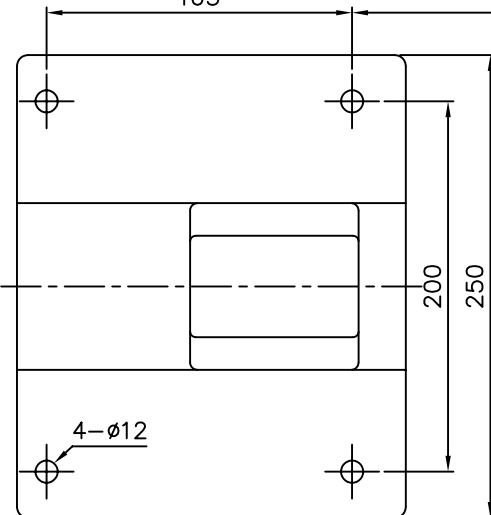
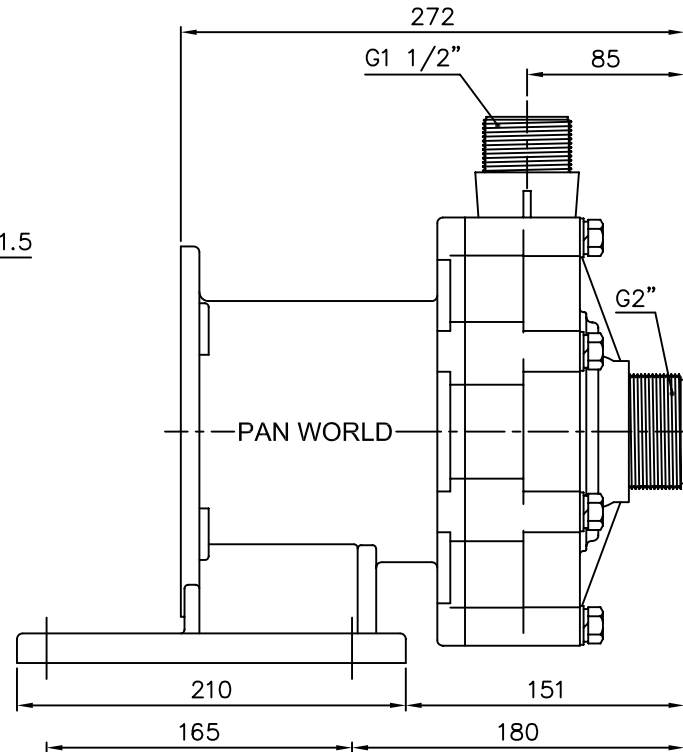


SCALE = 1:2

DIMENSION TOLERANCE : JIS 16 CLASS



| | | | | | |
|---------|------|----------|----------------|-----------|----------------------|
| | | APPROVED | | MDL. NAME | NH-4012PH (2.2kW) |
| UNIT | MM | CHECK | 09 26 03 | DWG. NAME | INSTALLATION DRAWING |
| SCALE | 7:20 | DESIGN | 11 27 02 | DWG. NO. | E1408194 |
| EDITION | 2 | DR. BY | 09 26 03 BECKY | | A3 |

TPW
HONG YUAN



PAN WORLD CO.,LTD.
パンワールド株式会社