

**PAN WORLD
SEALLESS MAGNETIC
DRIVEN PUMP**

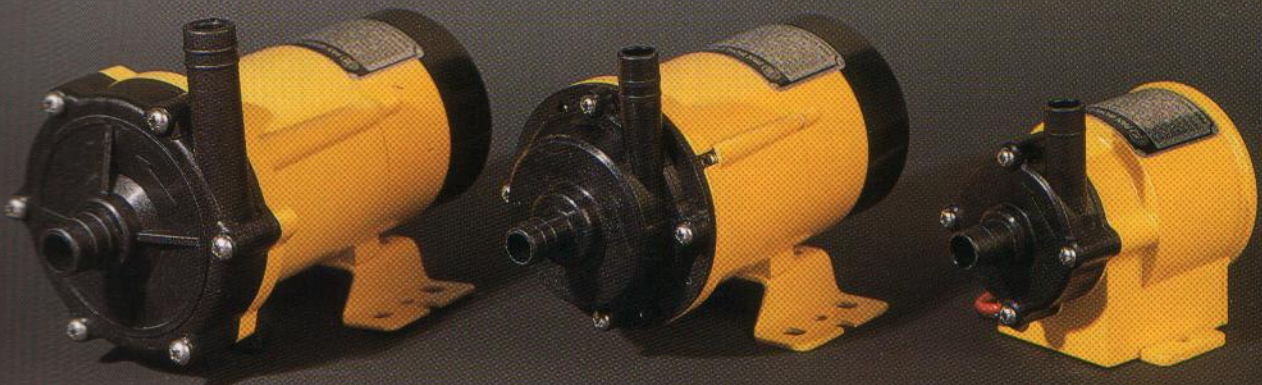
Reliability is our target

PX-D series (Polypropylene)
PX-D-N series (PvdF natural)
PX-D-F series (ETFE Teflon)

NEW

Miracle PX-D Series

Magnetic driven pump with
DC brushless motor



PAN WORLD CO., LTD.

Sealless construction

- Special shaft and Bearing support structure.
- By employing ceramic bearings zero wear can be obtained.

Sealless and long life of Bearing

- 10,000 hours life
- By applying magnetic coupling the extension of motor shaft is eliminated.

Pipe connection

- Hose, Flange, G thread are standard.
- Union is optional

Maintenance free

- There is usually no need for preventative maintenance.

Safety

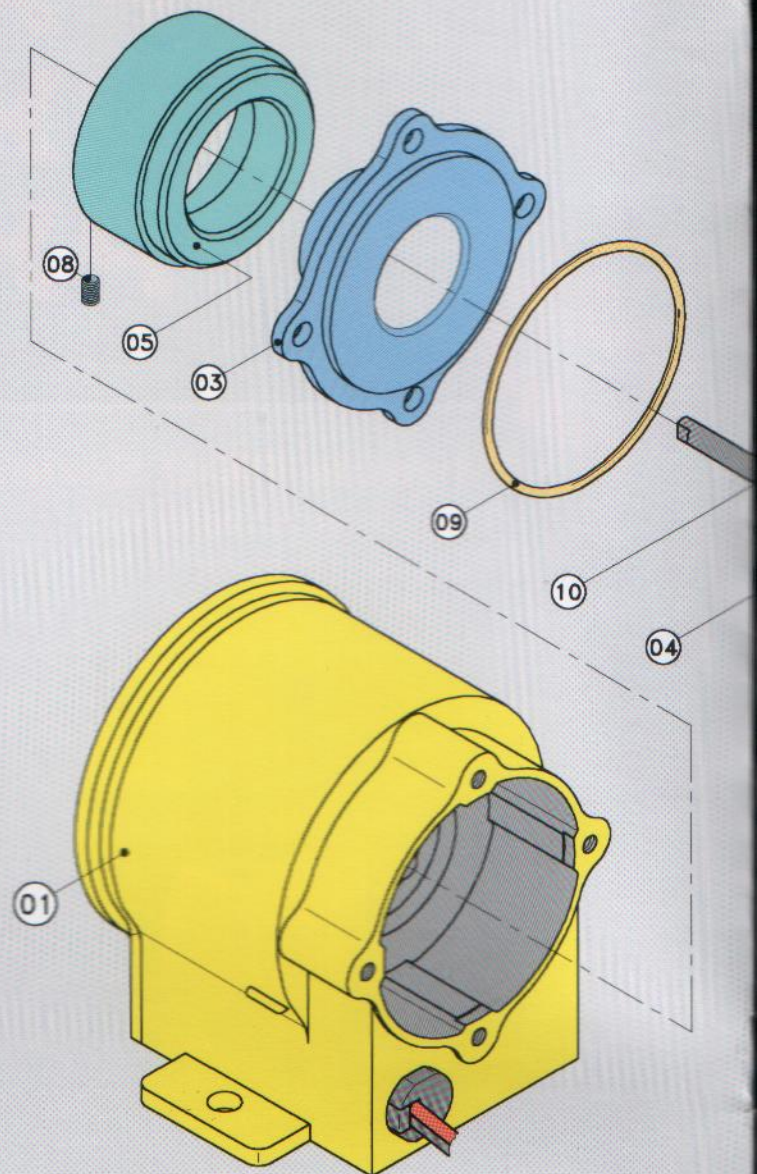
- Bearing, Thrust pad, shaft are molded into plastic body to prevent wrong alignment during cavitation and erratic operation.

High performance

- 1.5~3 times T.H.D.(total head) and flow to compare conventional magnet pump with AC motor.

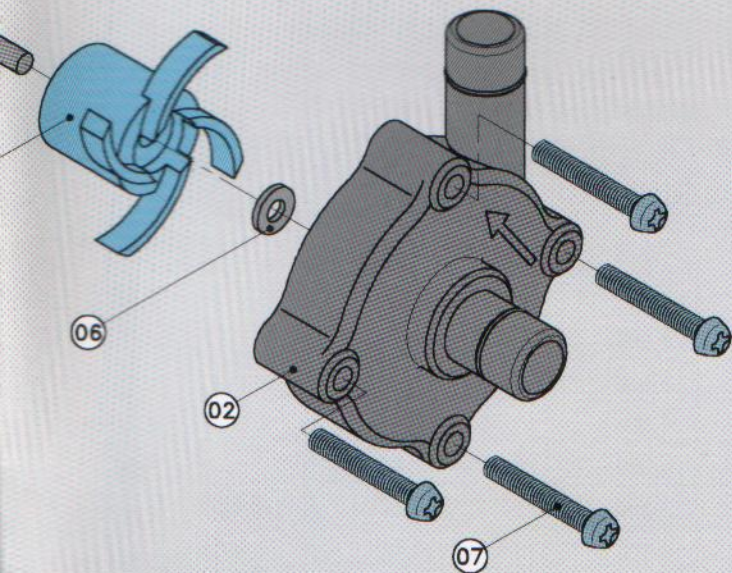
High efficiency motor

- 5~7times motor efficiency and low consumption.
- Therefore heat radiation is extremely reduced.



ed magnetic driven pump by the latest technology

NO.	PART NAME
01	Motor
02	Front casing
03	Rear casing
04	Impeller
05	Magnet housing
06	Front thrust pad
07	Bolt, Front casing
08	Set screw
09	O.ring
10	Spindel



Compact

- 1/2~1/3 compactness to compare conventional magnet pump with AC motor.

Required Power supply

- DC 12V-24/28V depend on Model
- AC-DC converter with built in transformer
AC 110V-DC 24/26V with JIS pin
AC 230V-DC 24/26V with Euro pin

Many series are available to reply to market demand and application

- PX-D series: Glass fiber filled polypropylene
- PX-D-N series: PvdF natural+siC semiconductor application.
- PX-D-F series: ETFE-Teflon & Ceramic or SiC. Hazard chemical application.

Operating range

- PX series: 0 - 70°C
PX-N series: 0 - 70°C
PX-F series: 0 - 70°C
- Environment condition to be installed 0 - 40°C
- 85%
- Slurry can not be handled.

Connection Method PX-D, PX-D-N, PX-D-F Series



5PX-D/5PX-D-N

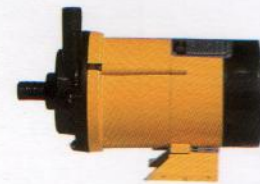


5PX-Z-D/5PX-Z-D-N

Hose connection	<input type="radio"/>	<input type="radio"/>
Thread connection	<input type="radio"/>	<input type="radio"/>



10PX-D/10PX-D-N

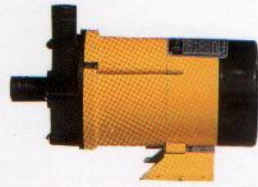


30PX-D/30PX-D-N/30PX-D-F

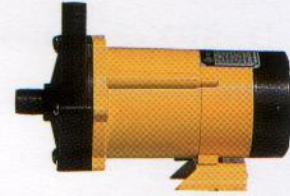
Hose connection	<input type="radio"/>	<input type="radio"/>
Thread connection	<input type="radio"/>	<input type="radio"/>

■ PX-D / PX-D-N / PX-D-F Series specification table

Model	Connection method			Performance		DC Brushless motor OutxInput, Watts
	Hose,mm	Thread,"	Union,A	Speed	THD-Max Flow	
	InxOutlet	InxOutlet	InxOutlet	R.P.M	m-L/min	
NH-5PX-D NH-5PX-D-N	14 x 14	G1/2 x 1/2	-----	2,500	0.91 - 7.0	6.0 x 7.5
3,000				1.20 - 11.05		
3,500				1.90 - 13.5		
4,000				2.80 - 15.0		
NH-5PX-Z-D NH-5PX-Z-D-N	14 x 14	G1/2 x 1/2	-----	2,500	1.50 - 7.5	11.5 x 17
3,000				2.20 - 10.0		
3,500				2.80 - 11.5		
NH-10PX-D NH-10PX-D-N	14 x 14	G1/2 x 1/2	-----	2,500	1.20 - 8.0	10.7 x 16
3,000				1.60 - 11.5		
3,500				2.50 - 14.0		
NH-30PX-D NH-30PX-D-N NH-30PX-D-F	18 x 18	G3/4 x 3/4	16 X16	2,500	1.70 - 14.0	17 x 24
3,000				2.80 - 16.0		
3,500				3.60 - 18.6		
NH-40PX-D NH-40PX-D-N NH-40PX-D-F	18 x 18	G3/4 x 3/4	16X16	2,500	2.30 - 20.0	17x 26
3,000				3.10 - 26.0		
3,500				4.80 - 30.0		
NH-50PX-Z-D NH-50PX-Z-D-N NH-50PX-Z-D-F	18 x 18	G3/4 x 3/4	16X16	2,500	2.30 - 11.0	29 x 40
3,000				4.30 - 13.0		
3,500				4.10 - 3.5		



40PX-D/40PX-D-N/40PX-D-F

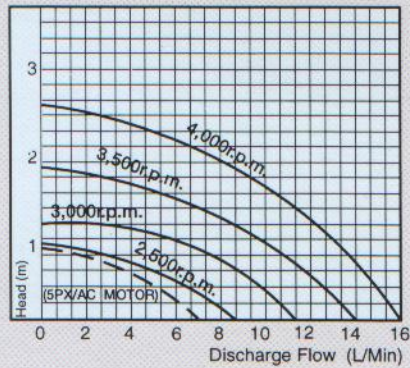


50PX-Z-D/50PX-Z-D-N/50PX-Z-D-F

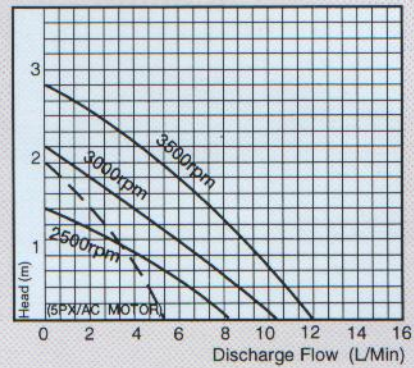
Hose connection	○	○
Thread connection	○	○

■ Pump performance curve

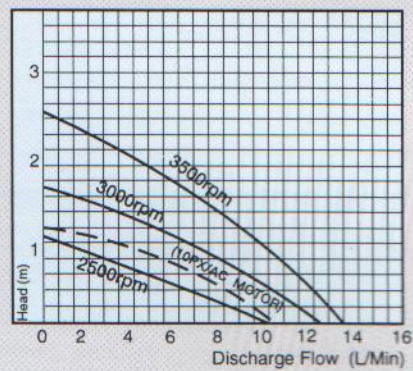
5PX-D/5PX-D-N



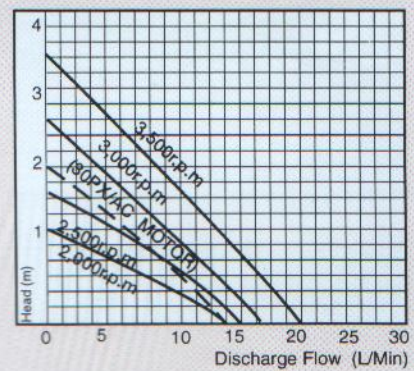
5PX-Z-D/5PX-Z-D-N



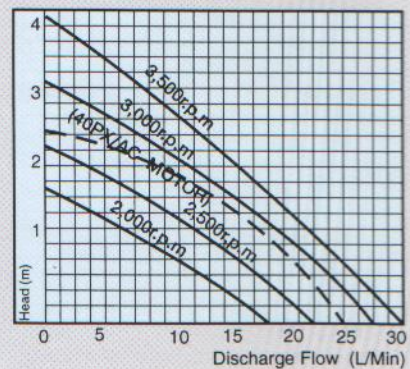
10PX-D/10PX-D-N



30PX-D/30PX-D-N/30PX-D-F



40PX-D/40PX-D-N/40PX-D-F

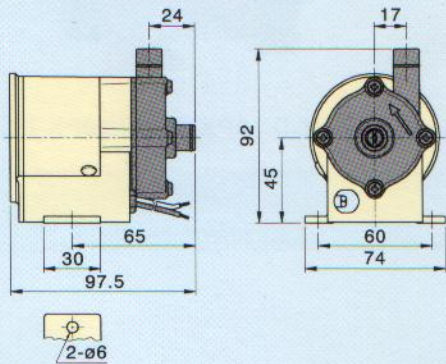


50PX-Z-D/50PX-Z-D-N/50PX-Z-D-F

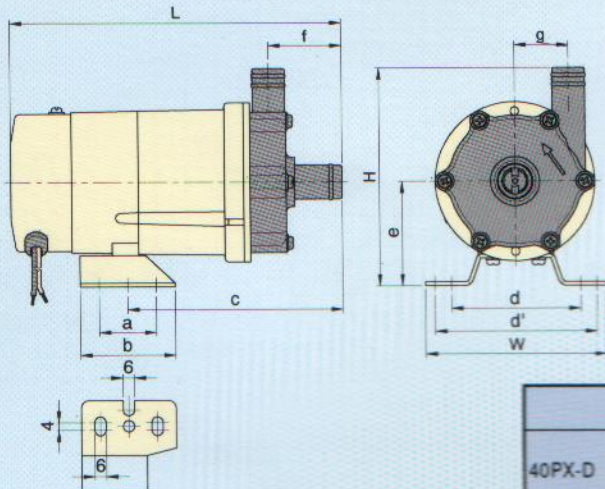
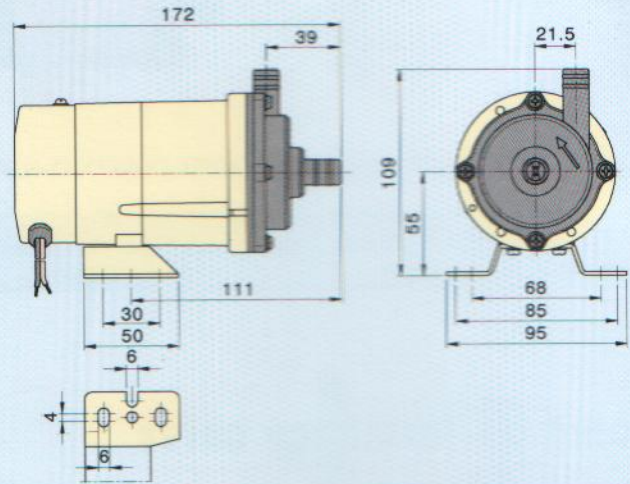


■ Installation Dimensions in mm

5PX-D, 5PX-Z, 10PX-D



30PX-D



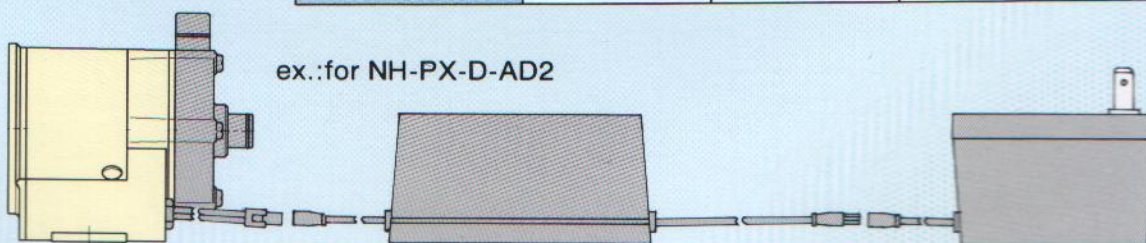
40PX-D, 50PX-Z-D

H:Hose
T:Thread

	W	H	L	a	b	c	d	d'	e	f	g
40PX-D	95	115	H:175.5 T:170.0	30	50	H:113.5 T:108.0	68	85	55	H:38.5 T:33.0	28.5
40PX-Z-D	95	125	190	30	50	129	68	85	55	39.5	38.5

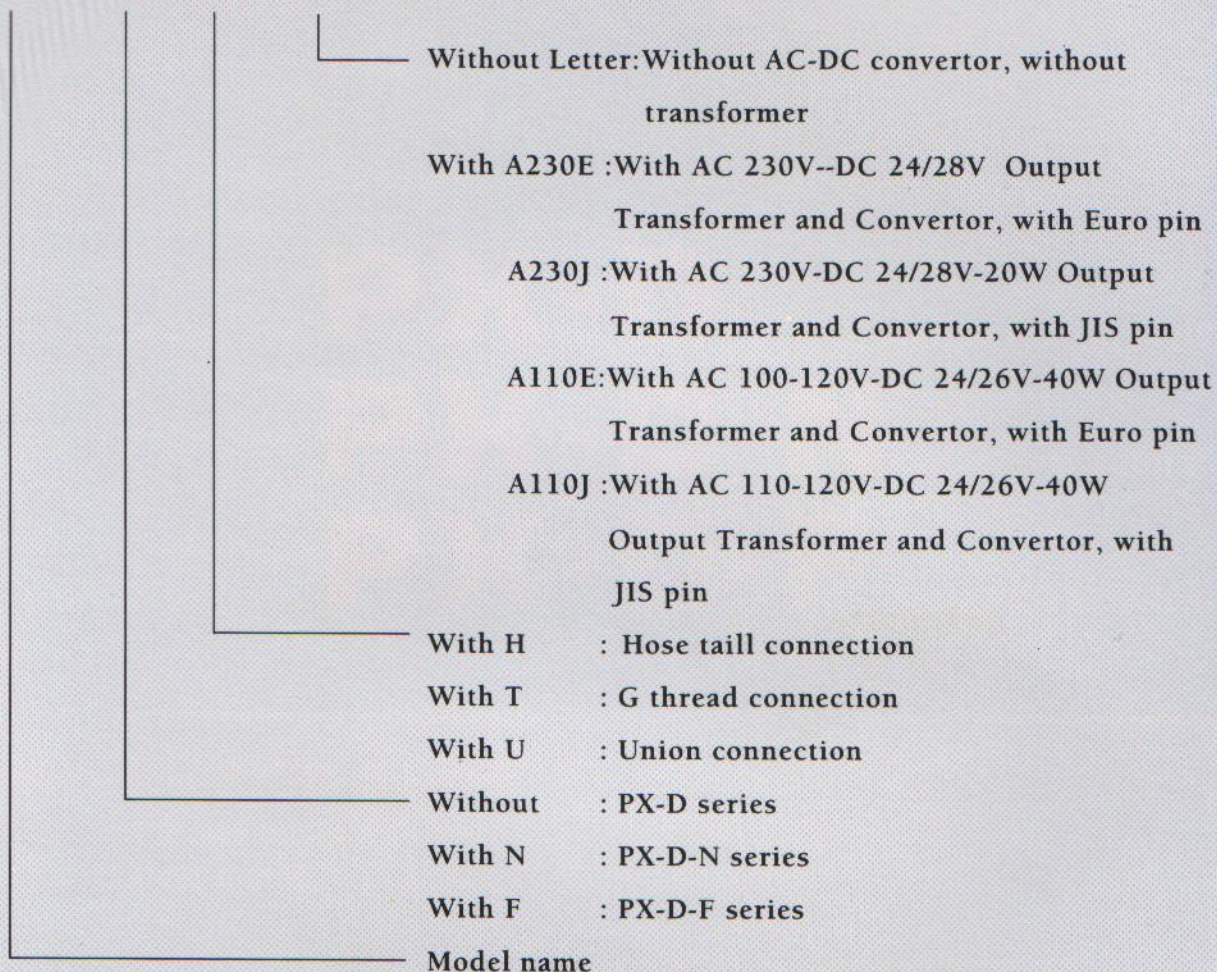
AC-DC converter

Model	Output	Input Voltage	Suitable Pump Model
NH-PX-D-AD1	26V, 0.75A	100-120V	5PX-D, 5PX-Z-D, 10PX-D
NH-PX-D-AD2	26V, 0.75A	220-240V	5PX-D, 5PX-Z-D, 10PX-D
NH-PX-D-AD3	26V, 2A	100-120V	30PX-D, 40PX-D, 50PX-Z-D
NH-PX-D-AD4	26V, 2A	220-240V	30PX-D, 40PX-D, 50PX-Z-D



■ Type indication

NH-10PX-D-N-H-A230



■ Part list

Part name	5~10PX	30~100PX	200/250PS	5~100PX-N	30~100PX-F	200/250PS-F
Casing	Glass fiber filled Polypropylene			PvdF Natural	carbon fiber filled ETFE	
Bearing	-----	Ceramic	Teflon based	SiC	Ceramic	Teflon based
Thrust pad	PE	PPS	Ceramic	Teflon	Teflon based	Ceramic
Shaft	Ceramic			SiC	Ceramic SiC	Ceramic
O ring	NBR, FKM			Viton		
Magnet	Ferrite					
Mouth ring	--(Open impeller)	Teflon based		--(Open impeller)	--(Open impeller)	Teflon based
Housing	Al cast			Aluminum cast		

Note: Oring materials viton, EPDM, Buna.

Material of 5/10PX-N Casing among PX-N series is polypropylene.



PAN WORLD CO.,LTD.
1097-18, Yamada-Cho Mitsukaido, Ibarakiken, Japan.
TEL:81-2972-35560(Rep.) Fax:81-2972-3-5561

